

KEITHLEY

Model 220 Programmable Current Source

Instruction Manual

A GREATER MEASURE OF CONFIDENCE

WARRANTY

Keithley Instruments, Inc. warrants this product to be free from defects in material and workmanship for a period of 1 year from date of shipment.

Keithley Instruments, Inc. warrants the following items for 90 days from the date of shipment: probes, cables, rechargeable batteries, diskettes, and documentation.

During the warranty period, we will, at our option, either repair or replace any product that proves to be defective.

To exercise this warranty, write or call your local Keithley representative, or contact Keithley headquarters in Cleveland, Ohio. You will be given prompt assistance and return instructions. Send the product, transportation prepaid, to the indicated service facility. Repairs will be made and the product returned, transportation prepaid. Repaired or replaced products are warranted for the balance of the original warranty period, or at least 90 days.

LIMITATION OF WARRANTY

This warranty does not apply to defects resulting from product modification without Keithley's express written consent, or misuse of any product or part. This warranty also does not apply to fuses, software, non-rechargeable batteries, damage from battery leakage, or problems arising from normal wear or failure to follow instructions.

THIS WARRANTY IS IN LIEU OF ALL OTHER WARRANTIES, EXPRESSED OR IMPLIED, INCLUDING ANY IMPLIED WARRANTY OF MERCHANTABILITY OR FITNESS FOR A PARTICULAR USE. THE REMEDIES PROVIDED HEREIN ARE BUYER'S SOLE AND EXCLUSIVE REMEDIES.

NEITHER KEITHLEY INSTRUMENTS, INC. NOR ANY OF ITS EMPLOYEES SHALL BE LIABLE FOR ANY DIRECT, INDIRECT, SPECIAL, INCIDENTAL OR CONSEQUENTIAL DAMAGES ARISING OUT OF THE USE OF ITS INSTRUMENTS AND SOFTWARE EVEN IF KEITHLEY INSTRUMENTS, INC., HAS BEEN ADVISED IN ADVANCE OF THE POSSIBILITY OF SUCH DAMAGES. SUCH EXCLUDED DAMAGES SHALL INCLUDE, BUT ARE NOT LIMITED TO: COSTS OF REMOVAL AND INSTALLATION, LOSSES SUSTAINED AS THE RESULT OF INJURY TO ANY PERSON, OR DAMAGE TO PROPERTY.



Keithley Instruments, Inc.

28775 Aurora Road • Cleveland, Ohio 44139 • 440-248-0400 • Fax: 440-248-6168
1-888-KEITHLEY (534-8453) • www.keithley.com

Sales Offices:

BELGIUM:	Bergensesteenweg 709 • B-1600 Sint-Pieters-Leeuw • 02-363 00 40 • Fax: 02/363 00 64
CHINA:	Yuan Chen Xin Building, Room 705 • 12 Yumin Road, Dewai, Madian • Beijing 100029 • 8610-82251886 • Fax: 8610-82251892
FINLAND:	Halsuantie 2 • 00420 Helsinki, Finland • 09-5306-6560 • Fax: 09-5306-6560
FRANCE:	3, allée des Garays • 91127 Palaiseau Cédex • 01-64 53 20 20 • Fax: 01-60 11 77 26
GERMANY:	Landsberger Strasse 65 • 82110 Germering • 089/84 93 07-40 • Fax: 089/84 93 07-34
GREAT BRITAIN:	Unit 2 Commerce Park, Brunel Road • Theale • Berkshire RG7 4AB • 0118 929 7500 • Fax: 0118 929 7519
INDIA:	1/5 Eagles Street • Langford Town • Bangalore 560 025 • 080 212 8027 • Fax: 080 212 8005
ITALY:	Viale San Gimignano, 38 • 20146 Milano • 02-48 39 16 01 • Fax: 02-48 30 22 74
JAPAN:	New Pier Takeshiba North Tower 13F • 11-1, Kaigan 1-chome • Minato-ku, Tokyo 105-0022 • 81-3-5733-7555 • Fax: 81-3-5733-7556
KOREA:	2FL., URI Building • 2-14 Yangjae-Dong • Seocho-Gu, Seoul 137-888 • 82-2-574-7778 • Fax: 82-2-574-7838
NETHERLANDS:	Postbus 559 • 4200 AN Gorinchem • 0183-635333 • Fax: 0183-630821
SWEDEN:	c/o Regus Business Centre • Frosundaviks Allé 15, 4tr • 169 70 Solna • 08-509 04 600 • Fax: 08-655 26 10
TAIWAN:	13F-3, NO. 6, Lane 99, Pu-Ding Road, Hsinchu, Taiwan, ROC. • 886-3-572-9077 • Fax: 886-3-572-9031

Model 220 Programmable Current Source Instruction Manual

©1982, Keithley Instruments, Inc.
All rights reserved.
Cleveland, Ohio, U.S.A.
Eighth Printing, August 2000
Document Number: 220-901-01 Rev. H

Manual Print History

The print history shown below lists the printing dates of all Revisions and Addenda created for this manual. The Revision Level letter increases alphabetically as the manual undergoes subsequent updates. Addenda, which are released between Revisions, contain important change information that the user should incorporate immediately into the manual. Addenda are numbered sequentially. When a new Revision is created, all Addenda associated with the previous Revision of the manual are incorporated into the new Revision of the manual. Each new Revision includes a revised copy of this print history page.

Revision G (Document Number 220-901-01) 1992
Revision H (Document Number 220-901-01) August 2000

Safety Precautions

The following safety precautions should be observed before using this product and any associated instrumentation. Although some instruments and accessories would normally be used with non-hazardous voltages, there are situations where hazardous conditions may be present.

This product is intended for use by qualified personnel who recognize shock hazards and are familiar with the safety precautions required to avoid possible injury. Read the operating information carefully before using the product.

The types of product users are:

Responsible body is the individual or group responsible for the use and maintenance of equipment, for ensuring that the equipment is operated within its specifications and operating limits, and for ensuring that operators are adequately trained.

Operators use the product for its intended function. They must be trained in electrical safety procedures and proper use of the instrument. They must be protected from electric shock and contact with hazardous live circuits.

Maintenance personnel perform routine procedures on the product to keep it operating, for example, setting the line voltage or replacing consumable materials. Maintenance procedures are described in the manual. The procedures explicitly state if the operator may perform them. Otherwise, they should be performed only by service personnel.

Service personnel are trained to work on live circuits, and perform safe installations and repairs of products. Only properly trained service personnel may perform installation and service procedures.

Exercise extreme caution when a shock hazard is present. Lethal voltage may be present on cable connector jacks or test fixtures. The American National Standards Institute (ANSI) states that a shock hazard exists when voltage levels greater than 30V RMS, 42.4V peak, or 60VDC are present. **A good safety practice is to expect that hazardous voltage is present in any unknown circuit before measuring.**

Users of this product must be protected from electric shock at all times. The responsible body must ensure that users are prevented access and/or insulated from every connection point. In some cases, connections must be exposed to potential human contact. Product users in these circumstances must be trained to protect themselves from the risk of electric shock. If the circuit is capable of operating at or above 1000 volts, **no conductive part of the circuit may be exposed.**

As described in the International Electrotechnical Commission (IEC) Standard IEC 664, digital multimeter measuring circuits (e.g., Keithley Models 175A, 199, 2000, 2001, 2002, and 2010) are Installation Category II. All other instruments' signal terminals are Installation Category I and must not be connected to mains.

Do not connect switching cards directly to unlimited power circuits. They are intended to be used with impedance limited sources. **NEVER** connect switching cards directly to AC mains. When connecting sources to switching cards, install protective devices to limit fault current and voltage to the card.

Before operating an instrument, make sure the line cord is connected to a properly grounded power receptacle. Inspect the connecting cables, test leads, and jumpers for possible wear, cracks, or breaks before each use.

For maximum safety, do not touch the product, test cables, or any other instruments while power is applied to the circuit under test. **ALWAYS** remove power from the entire test system and discharge any capacitors before: connecting or disconnecting cables or jumpers, installing or removing switching cards, or making internal changes, such as installing or removing jumpers.

Do not touch any object that could provide a current path to the common side of the circuit under test or power line (earth) ground. Always make measurements with dry hands while standing on a dry, insulated surface capable of withstanding the voltage being measured.


The instrument and accessories must be used in accordance with its specifications and operating instructions or the safety of the equipment may be impaired.


Do not exceed the maximum signal levels of the instruments and accessories, as defined in the specifications and operating information, and as shown on the instrument or test fixture panels, or switching card.


When fuses are used in a product, replace with same type and rating for continued protection against fire hazard.

Chassis connections must only be used as shield connections for measuring circuits, NOT as safety earth ground connections.

If you are using a test fixture, keep the lid closed while power is applied to the device under test. Safe operation requires the use of a lid interlock.

If a  screw is present, connect it to safety earth ground using the wire recommended in the user documentation.

The  symbol on an instrument indicates that the user should refer to the operating instructions located in the manual.

The  symbol on an instrument shows that it can source or measure 1000 volts or more, including the combined effect of normal and common mode voltages. Use standard safety precautions to avoid personal contact with these voltages.

The **WARNING** heading in a manual explains dangers that might result in personal injury or death. Always read the associated information very carefully before performing the indicated procedure.

The **CAUTION** heading in a manual explains hazards that could damage the instrument. Such damage may invalidate the warranty.

Instrumentation and accessories shall not be connected to humans.

Before performing any maintenance, disconnect the line cord and all test cables.

To maintain protection from electric shock and fire, replacement components in mains circuits, including the power transformer, test leads, and input jacks, must be purchased from Keithley Instruments. Standard fuses, with applicable national safety approvals, may be used if the rating and type are the same. Other components that are not safety related may be purchased from other suppliers as long as they are equivalent to the original component. (Note that selected parts should be purchased only through Keithley Instruments to maintain accuracy and functionality of the product.) If you are unsure about the applicability of a replacement component, call a Keithley Instruments office for information.

To clean an instrument, use a damp cloth or mild, water based cleaner. Clean the exterior of the instrument only. Do not apply cleaner directly to the instrument or allow liquids to enter or spill on the instrument. Products that consist of a circuit board with no case or chassis (e.g., data acquisition board for installation into a computer) should never require cleaning if handled according to instructions. If the board becomes contaminated and operation is affected, the board should be returned to the factory for proper cleaning/servicing.

MODEL 220 SPECIFICATIONS

MODEL 220 CURRENT SOURCE

RANGE	MAXIMUM OUTPUT	ACCURACY (1 Year) 18°-28°C	STEP SIZE	TEMPERATURE COEFFICIENT/°C 0°-18°C & 28°-50°C	NOISE (pk-pk of range)	3dB BANDWIDTH
100 mA	±101.00 mA	0.1 % + 50 µA	50 µA	0.01 % + 2 µA	100 ppm	0.1 Hz to 30 kHz
10 mA	±19.995 mA	0.05% + 10 µA	5 µA	0.005% + 200 nA	100 ppm	0.1 Hz to 100 Hz
1 mA	±1.9995 mA	0.05% + 1 µA	500 nA	0.005% + 20 nA	100 ppm	0.1 Hz to 100 Hz
100 µA	±199.95 µA	0.05% + 100 nA	50 nA	0.005% + 2 nA	100 ppm	0.1 Hz to 100 Hz
10 µA	±19.995 µA	0.05% + 1 nA	5 nA	0.005% + 200 pA	100 ppm	0.1 Hz to 100 Hz
1 µA	±1.9995 µA	0.1 % + 1 nA	500 pA	0.01 % + 20 pA	100 ppm	0.1 Hz to 100 Hz
100 nA	±199.95 nA	0.3 % + 100 pA	50 pA	0.02 % + 2 pA	100 ppm	0.1 Hz to 100 Hz
10 nA	±19.995 nA	0.3 % + 10 pA	5 pA	0.02 % + 200 fA	200 ppm	0.1 Hz to 10 Hz
1 nA	±1.9995 nA	0.4 % + 2 pA	500 fA	0.02 % + 200 fA	400 ppm	0.1 Hz to 10 Hz

OUTPUT RESISTANCE: $>10^{14}\Omega$ (on 1nA range).

OUTPUT CAPACITANCE: $<20\text{pF}$

LINE REGULATION: $<0.01\%$ for AC power line changes within specified limits.

VOLTAGE LIMIT: Bipolar, 1V to 105V in 1V programmable steps.

RESPONSE TIME: $<3\text{ms}$ to within 0.1% of programmed change.

TRANSIENT RECOVERY TIME: $<3\text{ms}$ to rated accuracy following any change in compliance voltage.

GUARD OUTPUT:

Maximum Load Capacitance: 10nF

Maximum Load Current: Absolute total (Output + Guard) not to exceed 105mA.

Accuracy: $\pm 1\text{mV}$ (excluding output lead voltage drop).

PROGRAM MEMORY:

Number of Locations: 100.

Range of Dwell Times: 3ms to 999.9s.

Accuracy of Dwell Time: $\pm(0.05\%+200\mu\text{s})$.

OUTPUT LOAD: Output load must be non-inductive.

EXTERNAL TRIGGER: TTL-compatible EXTERNAL TRIGGER INPUT and OUTPUT.

OUTPUT CONNECTIONS: Teflon® insulated 2-lug triax connector (Specialty Connector #30JR121-1) for output; five-way binding posts for GUARD, OUTPUT COMMON, and CHASSIS; BNC (chassis isolated) connectors for EXTERNAL TRIGGER INPUT and OUTPUT, Amphenol or Cinch Series 87 IEEE and printed circuit digital I/O port. All connections on rear panel.

IEEE-488 BUS IMPLEMENTATION

MULTILINE COMMANDS: DCL, LLO, SDC, GET, GTL, UNT, UNL, SPE, SPD.

UNILINE COMMANDS: IFC, REN, EOI, SRQ, ATN.

INTERFACE FUNCTIONS: SH1, AH1, T6, TE0, L4, LE0, SR1, RL1, PP0, DC1, DT1, C0, E1.

INTERNAL PROGRAMMABLE PARAMETERS: Display Mode, Output, Prefix Data Format, EOI, SRQ (including mask for over Limit), Program Mode, Range, Trigger Mode, Terminator Character, Inputs (Source, Limit, Dwell Time, 100-Point Memory Locations), Output Status, Digital Self Test.

DIGITAL I/O PORT: A separate I/O port consisting of four input and four output lines as well as common (IEEE-488) and +5V DC. Outputs will drive one TTL load. Inputs represent one TTL load. The 220 or 230 can be programmed to generate an "SRQ" upon any change in the four bit input data. Mating connector supplied.

GENERAL

DISPLAY: 0.5 in LED digits, 4½-digit signed mantissa, 1-digit signed exponent.

SYSTEMS COMPATIBILITY: IEEE-488-1978.

LIMIT INDICATIONS (Voltage Limit): "V-LIMIT" LED will blink.

MAXIMUM ALLOWABLE COMMON MODE VOLTAGE (OUTPUT or OUTPUT COMMON to CHASSIS): 250V rms, DC to 60Hz.

SELF TEST: Digital RAM, ROM, front panel LEDs upon power ON.

EMC: Conforms to European Union Directive 89/336/EEC.

SAFETY: Conforms to European Union Directive 73/23/EEC (meets EN61010-1/IEC 1010).

WARM-UP: 1 hour to rated accuracy.

POWER: 105-125 or 210-250V AC (internal switch selected), 50 or 60Hz, 60W maximum (80VA maximum). 90-105 or 180-210V AC operation available.

COOLING: Internal fan for forced air cooling.

ENVIRONMENTAL LIMITS: Operating: 0°-50°C; up to 35°C at 70% non-condensing relative humidity. **Storage:** -25° to 70°C.

DIMENSIONS, WEIGHT: 127mm high x 216mm wide x 359mm deep (5 in x 8½ in x 14½ in). Net weight 4.4kg (9 lb 11 oz).

ACCESSORIES SUPPLIED: Model 6011 Triaxial Test Lead (3 ft).

Specifications subject to change without notice.

TABLE OF CONTENTS

Paragraph	Title	Page
SECTION 1-GENERAL INFORMATION		
1.1	Introduction	1-1
1.2	Features	1-1
1.3	Warranty Information	1-1
1.4	Manual Addenda	1-1
1.5	Safety Symbols and Terms	1-1
1.6	Unpacking and Inspection	1-1
1.7	Repackaging For Shipment	1-1
1.8	Specifications	1-1
1.9	Accessories	1-2
1.9.1	Optional Accessories	1-2
1.9.2	Supplied Accessories	1-2
SECTION 2-OPERATION		
2.1	Introduction	2-1
2.2	Preparation For Use	2-1
2.2.1	Power-Up	2-1
2.2.2	Warm-Up	2-1
2.3	Operating Instructions	2-1
2.3.1	Environmental Conditions	2-1
2.3.2	Front Panel Control Descriptions	2-1
2.3.3	Rear Panel Descriptions	2-4
2.3.4	Output Connector	2-4
2.3.5	Inductive Loads	2-4
2.4	Operation Of The Model 220	2-5
2.4.1	Model 220 General Operating Procedure	2-5
2.4.2	Example of Operation	2-5
2.5	Applications	2-9
2.5.1	Calibration	2-9
2.5.2	Resistivity Measurement	2-9
2.5.3	Diode Characterization	2-10
SECTION 3-PERFORMANCE VERIFICATION		
3.1	Introduction	3-1
3.2	Environmental Conditions	3-1
3.3	Recommended Test Equipment	3-1
3.4	Initial Conditions	3-1
3.5	Performance Verification Procedure	3-1
3.5.1	100mA to 1mA Range Verification	3-1
3.5.2	100 μ A to 10 μ A Range Verification	3-2
3.5.3	1 μ A and 100nA Range Verification	3-2
3.5.4	10nA and 1nA Range Verification	3-3
SECTION 4-THEORY OF OPERATION		
4.1	Introduction	4-1
4.2	Block Diagrams	4-1
4.3	Power Supply	4-1
4.4	Analog Board	4-1
4.5	Digital Board (Microcomputer)	4-4
4.6	Display Circuit	4-4

TABLE OF CONTENTS (CONT.)

Paragraph	Title	Page
SECTION 5-MAINTENANCE		
5.1	Introduction	5-1
5.2	Calibration	5-1
5.2.1	Recommended Test Equipment	5-1
5.2.2	Environmental Conditions	5-1
5.2.3	Warm-Up	5-1
5.2.4	Calibration Fixtures	5-1
5.2.5	Calibration Adjustments	5-2
5.3	Fuse Replacement	5-2
5.4	Line Voltage Selection	5-3
5.5	Disassembly	5-3
5.6	Fan Filter Maintenance	5-4
5.7	Special Handling of Static Sensitive Devices	5-4
5.8	Troubleshooting	5-4
5.8.1	Servicing High Impedance Circuitry	5-4
5.8.2	Digital Self Test	5-5
 SECTION 6-REPLACEABLE PARTS		
6.1	Introduction	6-1
6.2	Parts List	6-1
6.3	Ordering Information	6-1
6.4	Factory Service	6-1
6.5	Schematic Diagrams and Component Location Drawings	6-1

LIST OF TABLES

Table	Title	Page
2-1	Line Voltage Setting	2-1
2-2	Error Message Conditions	2-5
3-1	Recommended Test Equipment	3-1
3-2	100mA to 1mA Verification	3-2
5-1	Recommended Test Equipment	5-1
5-2	Calibration	5-2
5-3	Fuse Replacement, 3AG Size	5-3
5-4	Fuse Replacement, 5mm Size	5-3
5-5	Line Voltage Selection	5-3
5-6	Model 220 Static Sensitive Devices	5-4
5-7	Power Supply Checks	5-5
5-8	Analog Board Checks	5-6
5-9	Digital Circuitry	5-7
5-10	Display Checks	5-7
5-11	IEEE-488 Interface Board Checks	5-8
6-1	Index of Model 220 Schematic and Component Layouts	6-1
6-2	Mother Board 220-103, Parts List	6-4
6-3	Display Board 220-113, Parts List	6-6
6-4	Analog Board 220-123, Parts List	6-7
6-5	IEEE Interface Board, 220-133, Parts List	6-10

LIST OF ILLUSTRATIONS

Figure	Title	Page
1-1	Instrument Packaging	1-2
2-1	Front and Rear Panel	2-2
2-2	Output Connector	2-4
2-3	Limiting Inductive Reaction Voltage	2-5
2-4	10mA to 2mA Square Wave	2-8
2-5	Using the Model 220 External Trigger	2-8
2-6	Guarding	2-9
2-7	Connections as a Current Sink with Resistive Load	2-9
2-8	Model 220 Recommended Operating Limits	2-9
2-9	Resistivity Measurement Using the Model 220 and the Model 614	2-10
2-10	Diode Characterization	2-10
2-11	Diode Curves	2-10
3-1	100mA to 1mA Range Verification	3-2
3-2	Test Fixture	3-3
3-3	1 μ A-1nA Range Verification	3-3
4-1	Analog Circuitry Block Diagram	4-2
4-2	Digital Circuitry Block Diagram	4-3
4-3	Memory Map	5-4
5-1	Calibration Setup	5-1
5-2	Calibration Fixture	5-2
5-3	1 μ A to 1nA Calibration	5-2
5-4	Memory Chip Number Assignment	5-5
6-1	Model 220 Exploded View	6-2
6-2	Model 220 Fan Assembly	6-3
6-3	Display Board, Component Location Drawing, Dwg. No. 220-110	6-11
6-4	Mother Board, Component Location Drawing, Dwg. No. 220-100	6-13
6-5	Analog Board, Component Location Drawing, Dwg. No. 220-120	6-17
6-6	IEEE Interface Board, Component Location Drawing, Dwg. No. 220-130	6-21
6-7	Display Board, Schematic Diagram, Dwg. No. 220-116	6-23
6-8	Digital Circuitry, Schematic Diagram, Dwg. No. 220-106	6-25
6-9	Analog Board, Schematic Diagram, Dwg. No. 220-126	6-29
6-10	IEEE Interface Board, Schematic Diagram, Dwg. No. 220-136	6-33

SECTION 1

GENERAL INFORMATION

1.1 INTRODUCTION

The Model 220 is a programmable current source with full range current from 2nA to 100mA. The Model 220 has a selectable voltage compliance of up to 105V in one volt increments. The 100 memory locations allow up to 100 storage points for programming source, V-limit, and dwell time. The Model 220 can be used with any measurement system that uses the IEEE-488 interface bus. For detailed operating instructions of the Model 220 and the IEEE-488 bus, refer to the Model 220/230 Programming Manual.

1.2 FEATURES

The Model 220 includes the following features:

- 100 point buffer that is capable of storing up to 100 points of an output waveform.
- Programmable dwell time between the data points in the buffer when used in the single or continuous program modes.
- Input and output connections for external triggering located on the rear panel.
- Selectable voltage compliance allows operator to select the required voltage compliance.
- 4½ digit display with appropriate exponent and decimal point.
- Program modes that control the sequence between the buffer points. This is for either single, step or continuous sequencing.
- Data keyboard to enter data (V-limit, dwell time, source, etc.) into the buffer.
- Program control that has a start, stop and reset control for the buffer and program mode.
- OPERATE button that holds the source in standby until programmed into operate.
- IEEE-488 interface bus operation is standard. This enables the Model 220 to be incorporated into a system that uses programmed control through the IEEE-488 bus.

1.3 WARRANTY INFORMATION


Warranty information is provided on the inside front cover of this manual. If there is a need to exercise the warranty, contact the Keithley representative in your area to determine the proper action to be taken. Keithley maintains complete repair and calibration facilities in the United States, West Germany, Great Britain, France, the Netherlands, Switzerland and Austria. Information concerning the application, operation or service of your instrument may be directed to the applications engineer at any of the above locations. Check the inside front cover of this manual for addresses.


1.4 MANUAL ADDENDA

Improvements or changes to this manual will be explained on an addendum included with this manual.

1.5 SAFETY SYMBOLS AND TERMS

Safety symbols used in this manual are as follows:

The symbol  on the instrument denotes that the user should refer to the operating instructions.

The symbol  on the instrument denotes that 1000V or more may be present on the terminal(s).

The **WARNING** used in this manual explains dangers that could result in personal injury or death.

The **CAUTION** used in this manual explains hazards that could damage the instrument.

1.6 UNPACKING AND INSPECTION

The Model 220 is inspected both mechanically and electrically before shipment. Upon receiving the Model 220 unpack all items from the shipping container and check for any obvious damage that may have occurred during transit. Report any damage to the shipping agent. Retain and use the original packaging materials if reshipment is necessary. The following items are shipped with all Model 220 orders:

- Model 220 Programmable Current Source
- Model 220 Instruction Manual
- Model 6011 Triaxial Test Lead
- Model 220/230 Programming Manual
- Optional accessories per request.

1.7 REPACKAGING FOR SHIPMENT

The Model 220 should be packed in its original carton using the packaging method shown in Figure 1-1. Before packaging, wrap the instrument in plastic. After it is placed in the box, surround the instrument with styrofoam packaging material.

If the Model 220 is to be returned to Keithley Instruments for calibration or repair, include the following:

- ATTENTION REPAIR DEPARTMENT on the address label.
- Warranty status of the instrument.
- Completed service form.

1.8 SPECIFICATIONS

For Model 220 detailed specifications, refer to the specifications that precede this section.

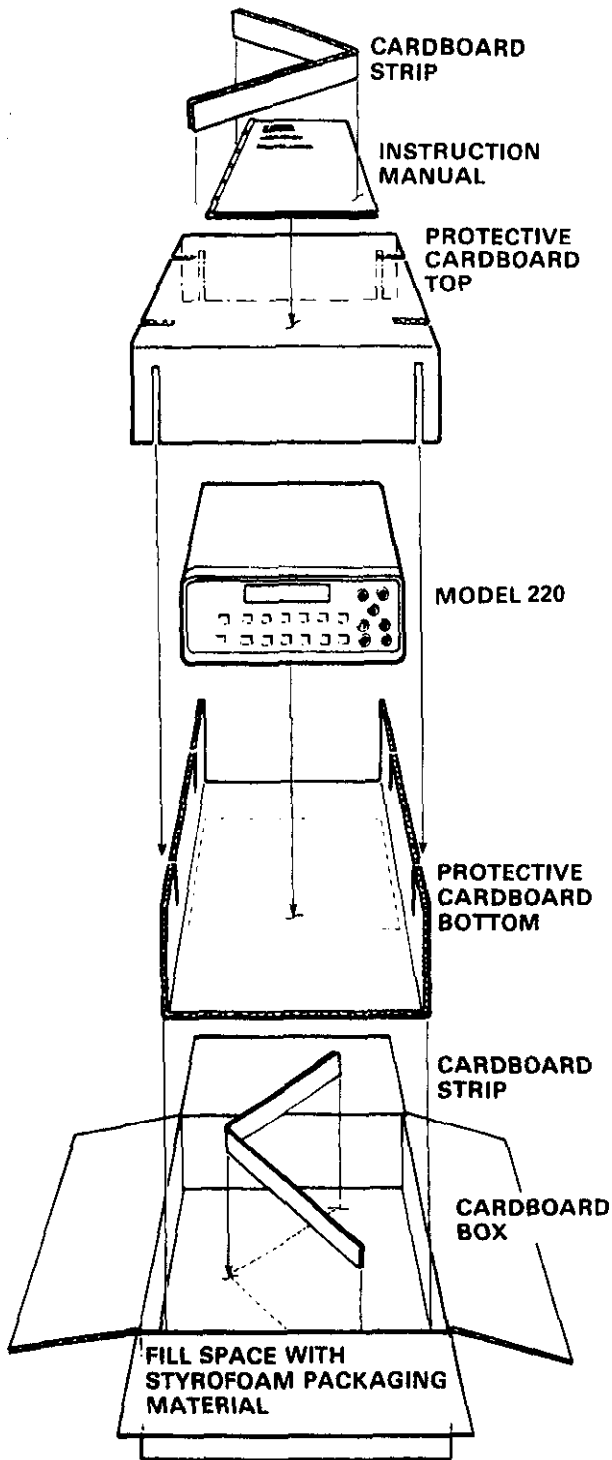


Figure 1-1. Instrument Packaging

1.9 ACCESSORIES

1.9.1 Optional Accessories

The following optional accessories are available from Keithley Instruments to enhance the capabilities of the Model 220.

Model 1019A Universal Rack Mounting Kit-The Model 1019A Universal Rack Mounting Kit can accommodate one or two Model 220's. The dimensions are 133mm x 483mm (5¼ in. x 19 in.).

Model 6167 Guarded Adapter-The Model 6167 Guarded Adapter reduces effective cable capacity by driving the inner shield of a triaxial cable at guard potential.

Model 7008-3 IEEE-488 Cable-The Model 7008-3 is a three foot (1 meter) IEEE-488 Cable. The cable has 24 stranded wire conductors and is terminated with IEEE-488 standard connectors.

Model 7008-6 IEEE-488 Cable-The Model 7008-6 is a six foot (2 meter) IEEE-488 Cable. The cable has 24 stranded wire conductors and is terminated with IEEE-488 standard connectors.

Model 7010 Cable Adapter-The Model 7010 is a IEEE-488 cable adapter. The adapter extends the IEEE-488 connector by one connector width for easy access connections.

1.9.2 Supplied Accessories

The following accessory is supplied with each Model 220.

Model 6011 Triax Input Cable-The Model 6011 is a three foot (1 meter) low noise triax cable terminated with alligator clips at one end and a Teflon® insulated triax connector at the other end.

SECTION 2 OPERATION

2.1 INTRODUCTION

This section includes operating instructions such as: preparation for use, environmental conditions, front and rear panel control descriptions, output connections and several examples of uses and applications of the Model 220. For Model 220 front and rear panel illustrations refer to Figure 2-1.

2.2 PREPARATION FOR USE

2.2.1 Power-Up

Plug the Model 220 into the proper power receptacle in accordance with Table 2-1. For fuse replacement or line switch (S102) setting refer to the maintenance section.

WARNING

Ground the instrument through a properly earth grounded receptacle before operation. Failure to ground the instrument can result in severe injury or death in the event of short circuit or malfunction.

Table 2-1. Line Voltage Setting

Input Voltage	Switch Setting S102	Fuse (F101)
105V-125V	115VAC	½ A, 250V, 3AG
210V-250V	230VAC	¼ A, 250V, 3AG
90V-110V*	115VAC	½ A, 250V, 3AG
180V-220V*	230VAC	¼ A, 250V, 3AG

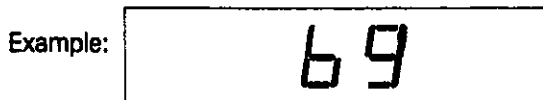
*For instruments equipped with low voltage transformer TR-187.

Immediately after turning on the Model 220 via the power switch, the display will indicate the following for several seconds:

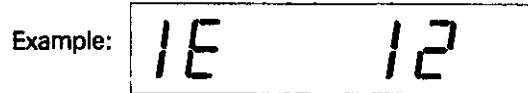


1. This is a display test. The operator can note inoperative display segments by comparing the Model 220's display with the figure above.
2. In addition, the push button and the TALK, LISTEN, REMOTE indicators will light. All indicators will light simultaneously if operating correctly.

After the display test is complete the Model 220 will display the software revision level for approximately one second.



After the software revision level is displayed, the Model 220 will display the primary address of the instrument for approximately one second. The primary address of the Model 220 is factory set at 12.



2.2.2 Warm-Up

To achieve rated accuracy the Model 220 requires one hour for warm-up.

2.3 OPERATING INSTRUCTIONS

2.3.1 Environmental Conditions

Operation of the Model 220 should be at an ambient temperature within the range of 0°C to 50°C, up to 35°C at 70% noncondensing relative humidity. Environmental conditions for storage are from -25°C to +70°C.

2.3.2 Front Panel Controls Description

Power On/Off switch operates on the push-push principle. Depressing this button turns the instrument on. Pushing the button again (releasing) turns the instrument off.

Display—There are four operating functions in the display group. They are described as follows.

SOURCE button selects the source data for display. The full scale range of the available source current is 1.9995nA to 101.00mA. The source current is displayed as a 4½ digit number with a single digit exponent. The least significant digit of the 4½ digit display is truncated to a "0" or a "5" when the ENTER button is pressed. When a 1, 2, 3 or 4 is entered as the least significant digit, it is truncated to a zero when the ENTER button is pressed. When a 6, 7, 8 or 9 is entered as the least significant digit, it is truncated to a five when the ENTER button is pressed.

During the entry of source data onto the display (cursor is flashing), pressing the SOURCE button reverts the display to the previous source data. A different source current can be programmed for each of the 100 memory locations.

V-LIMIT button selects the voltage compliance for display. The compliance voltage ranges from 1V to 105V in 1V increments. The voltage compliance is displayed as a three digit number. The three digit number is right justified when a one or two digit number is entered and the ENTER button is pressed. The voltage compliance limiting is bipolar.

The voltage limit accuracy for output current (I_{out}) greater than 1nA and less than 100µA is ±3% (+0.5V). For I_{out} greater than or equal to 100µA there is an additional error of 1V in the same

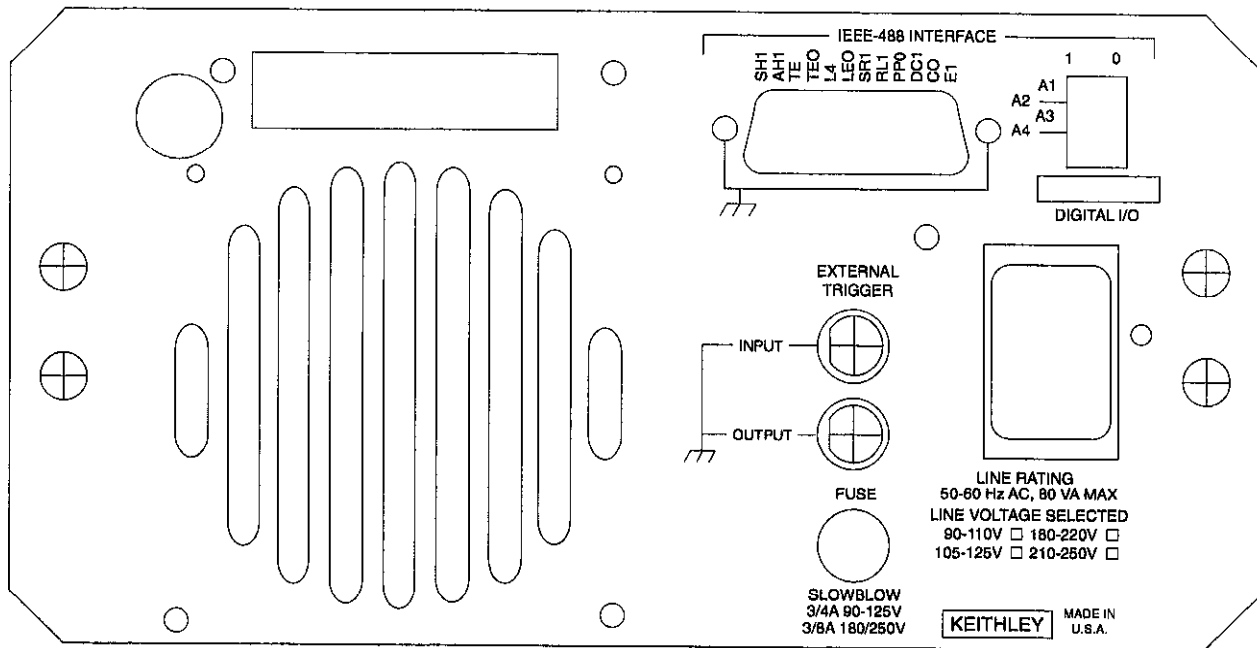
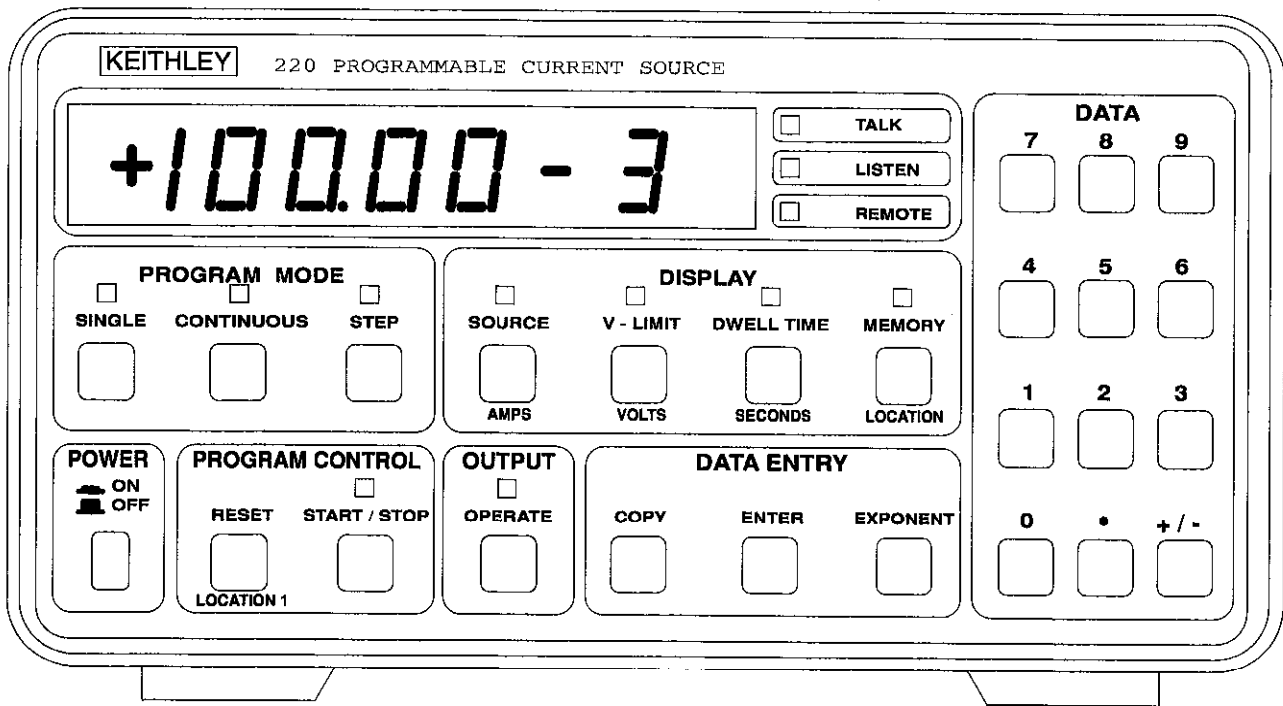


Figure 2-1. Model 220 Front and Rear Panels

polarity of I_{out} . For I_{out} less than or equal to 1nA there is an additional error of 0.5V with the opposite polarity of I_{out} .

A different compliance voltage limit can be programmed for each of the 100 memory locations. During the entry of V-limit data onto the display, (cursor is flashing) pressing the V-LIMIT button reverts the display to the previous V-limit data.

DWELL TIME button selects the dwell time data for display. Dwell time is defined as the programmed time the Model 220 spends on a specific memory location when in the single or continuous program modes. The range of the dwell time is 3msec to 999.9sec. The dwell time is displayed as a 4 ½ digit number with a single digit exponent. After the data is entered onto the display and the ENTER button is pressed, the exponent is displayed as a -3 or a 0 depending on the data entered. An entry of zero for the dwell time, in any memory location except the first will be interpreted as a reset in the step or continuous program modes to permit short cycling of the programmed memory locations it will be interpreted as a stop in the single program mode. The dwell time accuracy listed in the specifications requires that the IEEE-488 bus to be inactive.

A different dwell time can be programmed for each of the 100 memory locations. During the entry of dwell time data onto the display (cursor is flashing), pressing the DWELL TIME button reverts the display to the previous dwell time data.

MEMORY button selects the present memory location number for display. There are 100 available memory locations. They start at memory location 1 and range up to location 100. The memory location is displayed as a three digit number. The three digit display is right justified when a one or two digit number is entered onto the display or upon actuation of the RESET button the Model 220 selects memory location 1 as the present memory location.

Each memory location contains the source current data, V-limit data, dwell time data and the number of the memory location. To display any of these parameters contained in a particular memory location simply press the appropriate button (eg. SOURCE, V-LIMIT, DWELL TIME or MEMORY). The data of each of these parameters can vary for each memory location. This means the Model 220 can store up to 100 different values of source current, compliance voltage or dwell time.

During the entry of memory location data onto the display (cursor is flashing), pressing the MEMORY button reverts the display to the previously displayed memory location.

NOTE

The contents of all the memory locations are lost when the power to the Model 220 is turned off.

Data Entry—The three buttons contained in the data entry group consist of the COPY, ENTER and EXPONENT buttons. The three buttons and their functions are described as follows:

EXPONENT button allows entry of exponent data onto the display. The EXPONENT button is active only in the source and dwell time display modes. Once the single digit exponent

data has been entered onto the display and the ENTER button is pressed, the Model 220 places the data and the exponent into the proper notation. For example, if 520.0-7 is entered on the display, it is displayed as 52.00-6 after the ENTER button is pressed.

ENTER button loads the displayed data into the present memory location.

COPY button duplicates the source, V-limit, and dwell time data from one memory location into the next memory location. The COPY button is active only in the memory display mode. Refer to example 5.

OUTPUT button is an alternate action control which places the instrument in the displayed output mode. In the operate mode, the OUTPUT LED is turned on and the source data in the present memory location is present at the output connector on the rear panel. When the instrument is not in the operate mode, the output is programmed to .0000-9 amps.

Additionally if the compliance voltage was programmed to >32V it will be reduced (without changing displayed value) to 32V.

Program Mode—The three buttons contained in the program mode group consist of the SINGLE, CONTINUOUS and STEP buttons. These three buttons select the possible modes of scanning the internal 100 memory locations. The buttons are described as follows:

STEP button selects the step program mode. The step program mode allows the user to manually step through the programmed memory locations using the START/STOP button. When the Model 220 is in the step program mode the STEP LED is turned on.

SINGLE button selects the single program mode. The single program mode cycles through the programmed memory locations one time upon the actuation of the START/STOP button. When the Model 220 is in the single program mode the SINGLE LED is turned on.

CONTINUOUS button selects the continuous program mode. The continuous program mode cycles through the programmed memory locations continuously upon the actuation of the START/STOP button. When the Model 220 is in the continuous program mode the CONTINUOUS LED is turned on.

Program Control—The two buttons contained in the program control group are the RESET and START/STOP buttons. These two buttons control the use of the single, continuous and step program modes. The two buttons are described as follows:

RESET button is a momentary control that sets the presently displayed memory location back to memory location 1. If the Model 220 is in the operate mode, pressing the RESET button sets the output to the source data located in memory location 1. Pressing the RESET button during the entry of data onto the display in the Source, V-limit, dwell time or memory display modes sets the display back to the previous displayed data. Once the data is entered onto the display and the ENTER button is pressed, pressing the RESET button reverts the instrument back to the conditions in memory location 1.

START/STOP button is an alternate action control that serves two functions. The two functions are described as follows:

1. When the START/STOP button is pressed the selected program mode (step, single or continuous) is initiated.
2. When the START/STOP button is pressed a second time the START/STOP and the action of the selected program mode is stopped.
3. The START/STOP LED will be on continuously during the execution of the single or continuous program mode. In the step program mode the LED will be on the duration of the programmed dwell time.

NOTE

When the instrument is in the standby mode (OPERATE LED is turned off), and either single or continuous programming mode, the START/STOP button continues to control the buffer with no output present on the Model 220. In the step mode, the START/STOP LED turns on for the duration of the programmed dwell time.

DATA—The 12 buttons in the Data group allow entry of numerical data from 0 to 9 including with decimal point and polarity onto the display.

The **TALK**, **LISTEN** and **REMOTE** LED's identify the present status of the IEEE-488 bus. For more information concerning the Model 220 and the IEEE-488 bus refer to the Model 220/230 Programming Manual.

2.3.3 Rear Panel Description

OUTPUT connector is Teflon® insulated female triax connector.

GUARD terminal provides a low impedance voltage source which is equal to the output compliance voltage. The maximum load capacitance for the guard output is 0.01µF. The maximum load current which includes guard and output is not to exceed 105mA. The accuracy of the guard output is ±1mV excluding output lead IR voltage drops.

NOTE

The guard voltage will not equal the output voltage when the instrument is at the programmed V-limit overcompliance level.

OUTPUT COMMON terminal provides easy access to output common which is also the inner shield of the output connector.

CHASSIS GROUND terminal provides a convenient connection to chassis ground (earth ground).

IEEE-488 INTERFACE connector provides bus connection to the Model 220. The connector mates with the Model 7008-3 and 7008-6 IEEE cables.*

ADDRESS switches are used to program the primary address for the IEEE-488 interface bus operation. The primary address is updated only upon power-up.*

DIGITAL I/O port consists of four input and four output lines as well as IEEE-488 common and +5VDC. The outputs will drive one TTL load. The instrument can be programmed to generate an SRQ upon any change in the 4 bit input data.*

EXTERNAL TRIGGER INPUT initiates the selected program mode in the same manner as the START/STOP button upon receiving a TTL level negative transition with a minimum pulse width of 10µsec.

EXTERNAL TRIGGER OUTPUT provides a negative TTL level pulse of greater than 10µsec at the completion of the programmed dwell time.

The line power fuse is rated as shown in Tables 5-2 and 5-3.

The line plug mates with a 3-wire line cord which provides UL approved connections to line power.

*For more information concerning the IEEE-488 connector, digital I/O port and primary address switches refer to the Model 220/230 Programming Manual.

2.3.4 Output Connector

The output connector is a Teflon® insulated triax connector which is located on the rear panel. The maximum allowable voltage potential between the HI terminal and the LO terminal is ±100V. The maximum allowable common mode voltage between the HI input terminal and the chassis common is 250Vrms DC to 60Hz. See Figure 2-2.

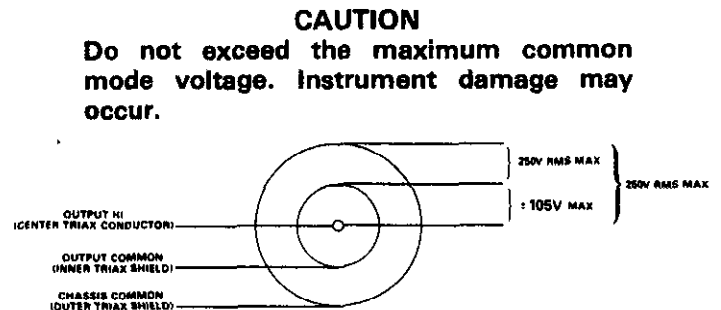


Figure 2-2. Output Connector

2.3.5 Inductive Loads

In general, the output load connected to the Model 220 should be resistive. However, a small amount of inductance in the load can be tolerated but only if the inductive reaction voltage $L \frac{di}{dt}$ is limited to less than 105V. Refer to Figure 2-3 for a suggested method of limiting the inductive reaction voltage.

CAUTION

If the output load connected to the Model 220 is inductive, limit the inductive reaction voltage to less than 105V. Otherwise instrument damage may occur.

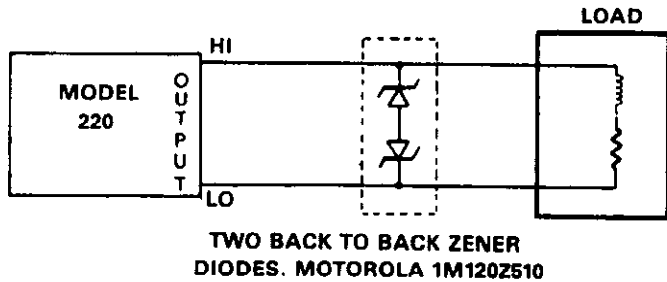


Figure 2-3. Limiting Inductive Reaction Voltage

2.4 OPERATION OF THE MODEL 220

The Model 220 has several different operating parameters. These parameters (step, single continuous, source, V-limit, dwell time etc) are to be programmed using the following general procedure. Several examples of exact programming are given after the following.

2.4.1 Model 220 General Operating Procedure

NOTE

Upon power up or upon actuation of the RESET button the Model 220 is set to memory location 1.

1. Turn on the Model 220 and allow one hour for warm up for rated accuracy operation.
2. Select memory location.
 - A. Press MEMORY.
 - B. Press the number(s) of the desired memory location (1 to 100).
 - C. Press ENTER.
3. Program the desired source.
 - A. Press SOURCE.
 - B. Press the number(s) of the desired source current (.0000-9mA to 101.00mA). Note that upon power-up the source is set to .0000-9.
 - C. Press ENTER.
4. Program the appropriate V-limit.
 - A. Press V-limit.
 - B. Press the number(s) of the appropriate compliance voltage limit (1 to 105V in one volt increments). Upon power-up the V-limit is set to 1V.
 - C. Press ENTER.
5. Program the desired dwell time.
 - A. Press DWELL TIME.
 - B. Press the number(s) of the appropriate dwell time (3msec to 999.9sec in 1msec increments.) Upon power-up the dwell time of memory location 1 is set to 3.000-3 sec.
 - C. Press ENTER.
6. Select the desired program mode (step, single or continuous).
7. Connect appropriate load.

NOTE

The output load must be noninductive. A small amount of inductance in the load can be tolerated if the inductive reaction voltage $L \frac{di}{dt}$ is limited to less than 105V. Refer to paragraph 2.3.5.

8. Program the Output to the operate mode by pressing the OUTPUT button.
9. Select the program control by pressing the START/STOP button.

NOTE

The output is programmed to .0000-9 when not in the operate mode.

2.4.2 Examples of Operation

The following examples depict several operating levels and conditions.

Example 1 Error Message—The Model 220 will display an error message if it is programmed into a parameter value that is outside of the range of the instrument. Table 2-2 lists the conditions that cause an error message. For example program the Model 220 for memory location 102.

1. Press MEMORY.
2. Press 1, 0, 2.
3. Press ENTER.

After the ENTER button is pressed, the Model 220 displays the following for approximately one second. Then the Model 220 returns to the previous display of the memory location.

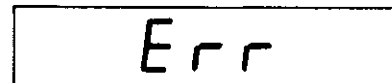


Table 2-2. Error Message Conditions

Parameters	Limits
Source	Greater than 101.00mA
V-Limit	Greater than 105V or an entry of 000.
Dwell time	Greater than 999.9sec, less than 3msec.
Memory	Greater than 100 or an entry of 000.

Example 2—In this example the Model 220 will be programmed to output a current of 10mA with a 10V compliance limit.

Required Output: 10mA with 10V compliance.

Use the following procedure to program the Model 220 to output the preceding parameters.

1. Select a memory location, if memory location 1 is not desired.
2. Press SOURCE, 1, 0, EXPONENT, 3, ENTER. (Programs a source value of 10mA.)
3. Press V-LIMIT, 1, 0, ENTER. (Programs 10V V-Limit.)
4. Connect load.
5. Press OPERATE.

NOTE

If the ENTER button is not pressed in the sequence indicated, the display data will not be programmed into the appropriate memory location.

Upon the actuation of step 5 the Model 220 outputs 10mA with a 10V compliance limit. Press the SOURCE button to

verify that the 10mA was actually programmed into the Model 220. Press the V-LIMIT button to verify that the 10V limit was actually programmed into the Model 220.

Example 3—In this example the Model 220 will be programmed to output three separate currents, three separate compliance limits, three separate dwell times and three separate memory locations. The three memory locations will be programmed in the step program mode.

Required Output: 100 μ A, 10V V-limit, 1 second dwell time, memory location 1.
1mA, 20V V-limit, 100msec dwell time, memory location 2.
10mA, 30V V-limit, 2.5 second dwell time, memory location 3.

1. Press MEMORY, 1, ENTER. (Selects memory location 1.)
2. Press SOURCE, 1, 0, 0, EXPONENT, 6, ENTER. (Programs memory location 1 source for 100 μ A.)
3. Press V-LIMIT, 1, 0, ENTER. (Programs memory location 1 V-limit for 10V.)
4. Press DWELL TIME, 1, EXPONENT, 0, ENTER. (Programs memory location 1 dwell time for one second.)
5. Press MEMORY, 2, ENTER. (Selects memory location 2.)
6. Press SOURCE, 1, EXPONENT, 3, ENTER. (Programs memory location 2 source for 1mA.)
7. Press V-LIMIT, 2, 0, ENTER. (Programs memory location 2 V-limit for 20V.)
8. Press DWELL TIME, 1, 0, 0, EXPONENT, +/-, 3, ENTER. (Programs memory location 2 dwell time for 100msec.)
9. Press MEMORY, 3, ENTER. (Selects memory location 3.)
10. Press SOURCE, 1, 0, EXPONENT, 3, ENTER. (Programs memory location 3 source for 10mA.)
11. Press V-LIMIT, 3, 0, ENTER. (Programs memory location 3 V-limit for 30V.)
12. Press DWELL TIME, 2, ., 5, EXPONENT, 0, ENTER. (Programs memory location 3 dwell time for 2.5sec.)
13. Press STEP. (Selects the step program mode.)

After completing step 13 the Model 220 is programmed into the parameters stated. To display any of the three programmed source values, select the desired source value's memory location and press the SOURCE button. To output any of the three source values select the desired source value's memory location, and press the OUTPUT button. Pressing the START/STOP button advances the Model 220 to the next channel. Notice that the START/STOP LED turns on for the programmed dwell time and then turns off. Note that actuation of START/STOP at memory location 3 will put instrument to location 1.

Example 4—In this example the Model 220 will be programmed to output five separate currents, five separate compliance limits, five separate dwell times and five separate memory locations.

Required Output: 100nA, 5V V-limit, 0.5 second dwell time, memory location 1.
1 μ A, 10V V-limit, 1 second dwell time, memory location 2.

10 μ A, 15V V-limit, 1.5 second dwell time, memory location 3.
100 μ A, 20V V-limit, 2 second dwell time, memory location 4.
1mA, 25V V-limit, 2.5 second dwell time, memory location 5.

1. Press MEMORY, 1, ENTER. (Selects memory location 1.)
2. Press SOURCE, 1, 0, 0, EXPONENT, 9, ENTER. (Programs memory location 1 source for 100nA.)
3. Press V-LIMIT, 5, ENTER. (Programs memory location 1 V-limit for 5V.)
4. Press DWELL TIME, ., 5, EXPONENT, 0, ENTER. (Programs memory location 1 dwell time for 0.5 seconds.)
5. Press MEMORY, 2, ENTER. (Selects memory location 2.)
6. Press SOURCE, 1, EXPONENT, 6, ENTER. (Programs memory location 2 source for 1 μ A.)
7. Press V-LIMIT, 1, 0, ENTER. (Programs memory location 2 V-limit for 10V.)
8. Press DWELL TIME, 1, EXPONENT, 0, ENTER. (Programs memory location 2 dwell time for one second.)
9. Press MEMORY, 3, ENTER. (Selects memory location 3.)
10. Press SOURCE, 1, 0, EXPONENT, 6, ENTER. (Programs memory location 3 source for 10 μ A.)
11. Press V-LIMIT, 1, 5, ENTER. (Programs memory location 3 V-limit for 15V.)
12. Press DWELL TIME, 1, ., 5, EXPONENT, 0, ENTER. (Programs memory location 3 dwell time for 1.5 seconds.)
13. Press MEMORY, 4, ENTER. (Selects memory location 4.)
14. Press SOURCE, 1, 0, 0, EXPONENT, 6, ENTER. (Programs memory location 4 source for 100 μ A.)
15. Press V-LIMIT, 2, 0, ENTER. (Programs memory location 4 V-limit for 20V.)
16. Press DWELL TIME, 2, EXPONENT, 0, ENTER. (Programs memory location 4 dwell time for 2 seconds.)
17. Press MEMORY, 5, ENTER. (Selects memory location 5.)
18. Press SOURCE, 1, EXPONENT, 3, ENTER. (Programs memory location 5 source for 1mA.)
19. Press V-LIMIT, 2, 5, ENTER. (Programs memory location 5 V-limit for 25V.)
20. Press DWELL TIME, 2, ., 5, EXPONENT, 0, ENTER. (Programs memory location 5 dwell time for 2.5 seconds.)

After completing step 20 the Model 220 is programmed into the parameters stated. To display any of the parameters of any memory location select the desired memory location and then select the desired parameter. To output any of the source values select the desired source value's memory location and press the OUTPUT button.

To scan the five memory locations use the following procedure:

1. Select the program mode of scanning. (Select Single, Continuous, or Step.)
2. Select desired display mode. (Source, V-limit, dwell time or memory.)
3. Press the START/STOP button.

In the step program mode the user can manually step through the programmed memory locations one at a time. Each time it is desired to advance to the next programmed memory location the user presses the START/STOP button. The START/STOP LED turns on for the duration of the programmed dwell time. When the last programmed memory location is selected (memory location 5 in this example) pressing the START/STOP button reverts the instrument to memory location 1.

In the single program mode the Model 220 cycles through all the programmed memory locations one time. To start the single program mode press the START/STOP button. Once the single program mode is activated, the Model 220 starts from the present memory location and advances to each programmed memory location. The instrument remains at each memory location for the programmed dwell time and then advances to the next programmed memory location. After the dwell time of the last programmed location the START/STOP LED turns off and the single program mode is ended. The Model 220 remains at the last programmed location until power is turned off, RESET is pressed, memory location is changed or the single or continuous program modes are activated.

NOTE

An entry of zero for the dwell time for any memory location is interpreted as a reset in the step, single and continuous program modes.

In the continuous program mode the Model 220 cycles through all the programmed memory locations continuously. To start the continuous program mode press the START/STOP button. To stop the continuous program mode press the START/STOP button a second time. When the START/STOP button is pressed the second time the continuous program mode is stopped at the present memory location. Once the continuous program mode is activated, the Model 220 starts from the present memory location and advances to the next memory location. The instrument remains at the present memory location for the programmed dwell time (dwell time can vary for each memory location) and then advances to the next memory location. The cycle continues up to and including the last programmed memory location and then reverts to memory location 1. At this point the cycle starts over again and keeps repeating until the START/STOP button is pressed, power to the instrument is turned off or the single or step program modes are selected.

Example 5—In this example the COPY button will be used to duplicate the data of memory location 1 into memory locations 2, 3, 4 and 5. The COPY button function, when used in the memory display mode, duplicates the source, V-limit, and dwell time data of one memory location, into the next memory location. Program the following parameters into memory location 1 and use the procedure to duplicate these parameters into memory locations 2, 3, 4 and 5.

Required Parameters:

1. 10.05mA Source
2. 25V V-limit
3. 525msec Dwell Time

1. Press MEMORY, 1, ENTER. (Selects memory location 1.)
2. Press SOURCE, 1, 0, ., 0, 5, EXPONENT, 3, ENTER. (Programs memory location 1 source for 10.05mA.)
3. Press V-LIMIT, 2, 5, ENTER. (Programs memory location 1 V-limit for 25V.)
4. Press DWELL TIME, 5, 2, 5, EXPONENT, 3, ENTER. (Programs memory location 1 dwell time for 525msec.)
5. Press MEMORY, COPY, COPY, COY, COPY.

The parameters specified were programmed into the Model 220 by steps 1 through 4. The parameters of memory location 1 were duplicated into memory locations 2, 3, 4 and 5 by step 5. To verify that the data was duplicated into the other memory locations select each memory location and select each parameter for each memory location. For example: To verify that 10.05mA was duplicated into memory location 3 use the following two steps.

1. Press MEMORY, 3, ENTER. (Selects memory location 3.)
2. Press SOURCE. (Displays memory location 3 source data.)

Example 6 Fabricating Output Waveforms—The Model 220 is capable of fabricating output waveforms. With the 100 memory locations the Model 220 can fabricate waveforms with up to 100 individual steps. The following procedure is an example of programming the Model 220 to output a square wave of 10mA to 2mA at 100Hz.

Required Output: 10mA to 2mA square wave at 100Hz with a V-limit of 10V.

NOTE

Cycle power to the instrument before starting this example to avoid confusion of previously programmed memory locations.

1. Press MEMORY, 1, ENTER. (Selects memory location 1.)
2. Press SOURCE, 1, 0, EXPONENT, 3, ENTER. (Programs memory location 1's V-limit for 10V.)
3. Press V-LIMIT, 1, 0, ENTER. (Programs memory location 1's V-limit for 10V.)
4. Press DWELL TIME, 5, EXPONENT, 3, ENTER. (Programs memory location 1 dwell time for 5msec.)
5. Press MEMORY, 2, ENTER. (Selects memory location 2.)
6. Press SOURCE, 2, EXPONENT, 3, ENTER. (Programs memory location 2 source for 2mA.)
7. Press V-LIMIT, 1, 0, ENTER. (Programs memory location 2 V-limit for 10V.)
8. Press DWELL TIME, 5, +/-, EXPONENT, 3, ENTER. (Programs memory location 2 dwell time for 5msec.)
9. Press CONTINUOUS, OPERATE, START/STOP.

Upon completion of step 9 the Model 220 outputs a 10mA to 2mA 100Hz square wave as shown in Figure 2-4.

NOTE

When fabricating output waveforms observe the response time specifications of the Model 220. Also, consider the affect of load impedance on the waveform to be fabricated.

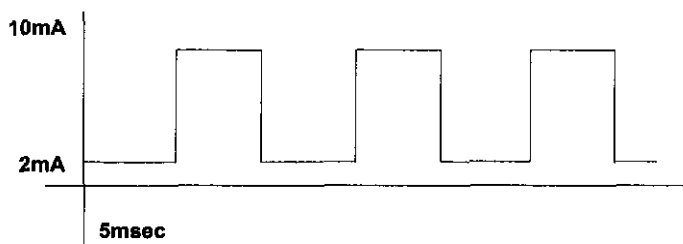


Figure 2-4. 10mA to 2mA Square Wave

NOTE

In this example the Model 220 does not change range. If the Model 220 is programmed to change from one range into another (e.g. 10mA to 1mA), the output drops to zero for approximately 2msec between range changes.

Example 7 Using External Trigger (Input and Output) —

The external trigger input initiates the program mode (single, continuous, or step) in the same manner as the START button. To output any programmed values the program mode must be selected, the OPERATE button enabled, and the instrument must receive the external trigger input pulse.

The external trigger output is a pulse signifying the completion of a programmed dwell time. The pulse is present at the external trigger output in any of the three program modes. For the single or continuous program modes there is an output pulse at the end of every programmed dwell time. For the step program mode, there is an output at the end of the programmed dwell time for the one memory location. To go on to the next step (memory location), and therefore output another external trigger output pulse, another external trigger input pulse is required.

Using the Model 619 in conjunction with the Model 220 can help illustrate this example. Like the Model 220, the Model 619 has external trigger input and output (electrometer complete and external trigger) lines. Connect the two instruments as shown in Figure 2-5. In this configuration and with the proper programming, the Model 220 will output the programmed current when the START button is pressed. At the end of the specified dwell time the Model 220 outputs the external trigger pulse. This pulse triggers the Model 619 to take a reading. When the Model 619 measurement cycle is completed it will output a trigger pulse (via the electrometer complete line) to the Model 220. The trigger pulse from the Model 619 to the

Model 220, triggers the Model 220 to advance to the next memory location and output the next programmed current.

NOTE

Only the Model 619's with electrometer complete and external trigger can be used for this example.

At this point the cycle repeats itself and keeps on repeating itself by advancing through the programmed memory locations of the Model 220. To stop the cycle, disconnect one of the trigger lines.

NOTE

The Model 619 can be set to the talk-only mode and connected to an IEEE compatible printer. The Model 619 measurement data would then be recorded by the printer automatically. This would free the operator from recording the data manually.

Example 8 Using Guard — Leakage resistance between low current conductors and nearby voltage sources can cause significant error currents. For example, if a printed circuit element has a leakage path with a resistance of $10^9\Omega$ to a nearby 15V supply terminal, a current of 15nA will be generated as shown in Figure 2-6a. In order to keep this current below 1pA, the leakage resistance would have to be above $1.5 \times 10^{12}\Omega$. This high resistance is difficult to maintain in many situations. In order to eliminate such stringent insulation resistance requirements, guarding techniques may be used as shown in Figure 2-6b.

Guarding is surrounding the sensitive input with a conductor (the guard) connected to a low impedance point which is at (virtually) the same potential. The GUARD terminal located on the rear panel provides an easy connection to a low impedance voltage source which is equivalent to the output compliance voltage.

The maximum load capacitance for the guard output is 0.01μF. The maximum load current which includes guard and output is not to exceed 105mA. The accuracy of the guard $\pm 1mV$ excluding output lead I•R voltage drop.

Example 9 Floating Operation — The Model 220 can be floated off chassis ground. Guard or output common MUST NOT be connected to chassis ground when floating the instrument above chassis ground potential. Chassis ground is connected to earth ground with the line power cord and an appropriate grounded three-wire receptacle. The Model 220 can be floated up to 250Vrms above chassis ground.

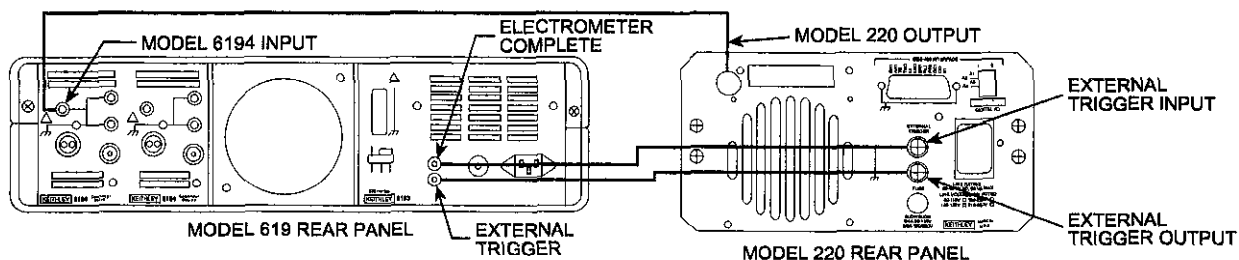
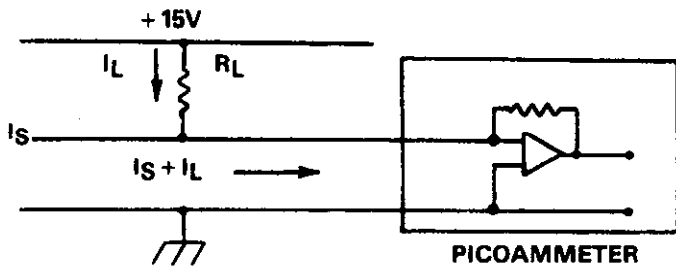
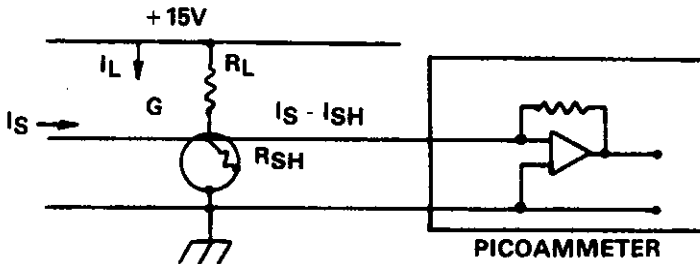


Figure 2-5. Using the Model 220 External Trigger



$$I_L = \frac{15V}{R_L} = \frac{15V}{10^9} = 15nA$$

2-6A. UNGUARDED CIRCUIT



2-6B. GUARDED CIRCUIT

Figure 2-6. Guarding

CAUTION

When an external voltage source is connected in series with the Model 220 output, care should be taken to limit the power delivered to the Model 220. Refer to Figure 2-8 for power limits.

Example 10 Operation as an Active Load (Current Sink)—The Model 220 can be used as an active current sink as shown in Figure 2-7. The output voltage V_o is a function of E , I and R_L where:

$$V_o = E + IR_L$$

E = External Voltage Source

I = Programmed Current on the Model 220

R_L = Load Resistance

CAUTION

When the Model 220 is connected so as to sink current (that is, power is delivered to the Model 220 by an external power supply), care should be taken to limit the power delivered to the Model 220. Figure 2-8 shows the power limits to the Model 220 used in this configuration.

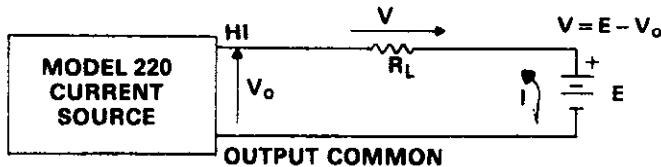


Figure 2-7. Connections as a Current Sink with Resistive Load

For resistive loads the Model 220 will deliver the programmed current up to the compliance voltage ($V_o = V_c$). The output voltage V_o must be within the power limits specified in Figure 2-8.

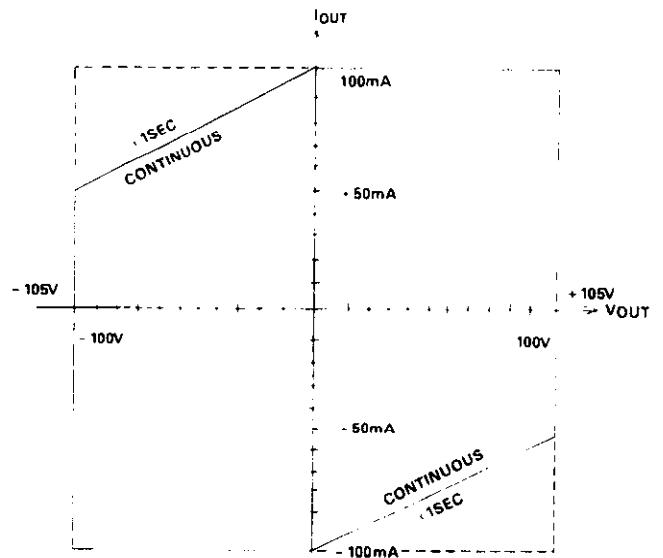


Figure 2-8. Model 220 Recommended Operating Limits

2.5 APPLICATIONS

2.5.1 Calibration

Model 220, with its high accuracy, can be used as current calibration source. The required current values and voltage compliance limits can be programmed into the memory locations. The three different program modes allow the operator to run through the programmed values wether manually (step) or automatically (single or continuous). In the single or continuous program mode different dwell times can be programmed. This allows the operator to tailor the dwell times to his needs. The step program modes may be the best way to run through the calibration steps. In this mode the operator can manually step through the memory locations and therefore, output the current when it is required by the calibration procedure.

2.5.2 Resistivity Measurement

Certain semiconductor materials such as silicon have high resistivities. The measurement of their resistivity can be a difficult measurement. To aid in the measurement, special probes of a hard metal such as tungsten are used. Because contact resistance is so high, a four point probe is usually employed. The outer two contact supply a constant current, the inner two contacts measure the voltage drop across a portion of the sample. With the geometry of the probe and wafer known, resistivity can then be calculated.

The current source used must be stable and accurate. The Model 220 is ideal for this application. The accurate and stable current along with compliance voltage can be easily programmed before making the measurement.

The two voltmeters require a high impedance to overcome lead resistance problems. The Model 614 has the high input impedance (greater than $5 \times 10^{13}\Omega$ in parallel with 20pF) re-

quired to make the measurement accurately. Refer to Figure 2-9.

For most wafers the resistivity is calculated from: $P = \frac{kV}{It}$
 k is a constant based on the geometry of the wafer and probe.
 t is the sample thickness.
 V is the measured voltage.
 I is the current in the sample.

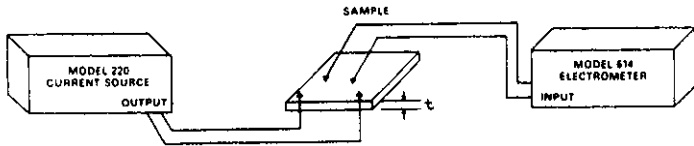


Figure 2-9. Resistivity Measurement Using the Model 220 and Model 614

2.5.3 Diode Characterization

With the Model 220 it is possible to plot I-V (current-voltage) characteristics of a diode over several decades. Figure 2-10 shows the configuration to be used. The Model 614, with its high input resistance in the volts function; will allow the measurement to be made accurately. Figure 2-11 shows several examples of diodes whose curves have been plotted using the configuration of Figure 2-10.

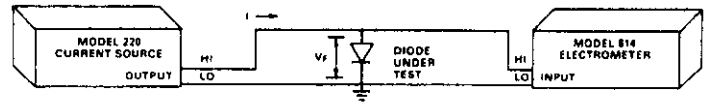


Figure 2-10. Diode Characterization

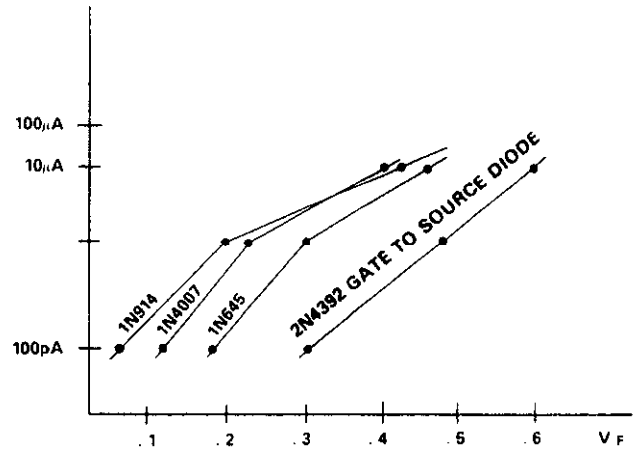


Figure 2-11. Diode Curves

SECTION 3 PERFORMANCE VERIFICATION

3.1 INTRODUCTION

Performance verification may be done upon receipt of the instrument to ensure that no damage or misadjustment has occurred during transit. Verification may also be performed whenever there is question of the instrument's accuracy.

NOTE

For instruments that are still under warranty (less than 12 months since date of shipment), whose performance falls outside specifications at any point, contact your Keithley representative or the factory immediately.

3.2 ENVIRONMENTAL CONDITIONS

Measurements should be made at 18°-28°C and at less than 70% noncondensing relative humidity, unless otherwise indicated.

3.3 RECOMMENDED TEST EQUIPMENT

Table 3-1 lists all the test equipment required for verification. If alternate equipment is used, the alternate test equipment's specifications must be at least as good as the equipment specifications listed in Table 3-1.

3.4 INITIAL CONDITIONS

The Model 220 must be turned on and allowed one hour for warm-up. If the instrument has been subjected to extremes of temperature, allow sufficient time for internal temperatures to reach normal operating conditions as specified in paragraph 3.2. Typically, it takes one hour to stabilize a unit that is 10°C (18°F) out of the specified temperature range.

3.5 PERFORMANCE VERIFICATION PROCEDURE

Use the following procedure to verify the accuracy of the Model 220. If the Model 220 is out of specification, proceed to Section 5 Maintenance, unless the Model 220 is under warranty.

WARNING

Verification should be performed by qualified personnel using accurate and reliable test equipment.

NOTE

The allowable reading for each range includes the tolerances of the recommended test equipment. If different test equipment is used, modify the allowable readings accordingly.

3.5.1 100mA to 1mA Range Verification

1. Connect the Model 220, Model 192 and the 100Ω load resistor as shown in Figure 3-1.
2. Select the 20VDC range on the Model 192.
 - a. Program the Model 220 to output +00.00-3. Verify that the reading on the Model 192 does not exceed +5mV.
 - b. Program the Model 220 to output +00.000-3. Verify that the reading on the Model 192 does not exceed +1mV.
 - c. Select 2V range on the Model 192. Program the Model 220 to output +.0000-3. Verify that the reading on the Model 192 does not exceed +100μV. Select the 20V range on the Model 192.
3. Program the Model 220 for 50mA with a 20V compliance limit.
4. Press the OPERATE button on the Model 220.
5. Verify that the reading on the Model 192 display is within the limits specified in Table 3-2.
6. Repeat steps 2 through 5 for the 10mA and 1mA range.
7. Repeat steps 2 through 6 with negative output current.

NOTE

Because of the power constraints on the 100Ω resistor (1/4W), the 100mA range must be checked with a test current of 50mA. When checking this range, only apply power momentarily to prevent the resistor from overheating.

Table 3-1. Recommended Test Equipment

Item	Description	Specification	Mfr.	Model
A	DMM	0.005% (2V range)	Keithley	192
B	Precision Resistor	100Ω ±0.01%, 1/4W	Keithley	R-196-100Ω
C	Precision Resistor	100kΩ ±0.01%	Caddock	TF020N
D	Precision Resistor	10MΩ ±0.25%	Keithley	R-305-10M
E	Precision Resistor	1GΩ ±2%	Keithley	R-289-1G
F	Tera-Ohmmeter	10MΩ Range; ±0.025%, 1GΩ Range; ±0.05%	Guildline	9520
I	Test Fixture			

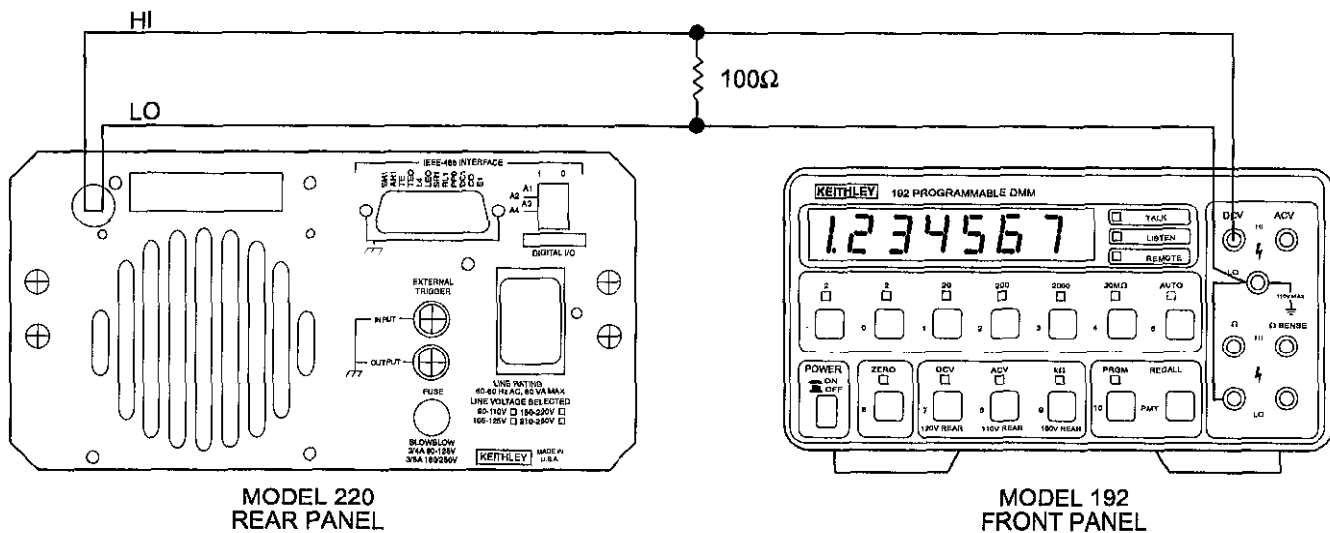


Figure 3-1. 100mA to 1mA Range Verification

Table 3-2. 100mA to 1mA Verification

Model 220 Range	Model 220 Output	Model 192 Range	Model 192* Allowable Reading (18°C to 28°C)
100mA	50.00mA**	20Vdc	5.0090 to 4.9910
10mA	10.000mA	2Vdc	1.00132 to 0.99868
1mA	1.0000mA	2Vdc	0.10013 to 0.09987

*Includes test equipment tolerances.

**Apply momentarily to prevent the resistor from overheating.

3.5.2 100μA and 10μA Range Verification

1. Replace the 100Ω resistor in Figure 3-1 with the 100kΩ resistor specified in Table 3-1.
2. Select the 20VDC range on the Model 192.
 - a. Program the Model 220 to output +00.00-6. Verify that the reading on the Model 192 does not exceed +10mV.
 - b. Program the Model 220 to output +0.000-6. Verify that the reading on the Model 192 does not exceed +1mV.
3. Program the Model 220 to output +100.00-6 amps with 20V compliance.
4. Verify the reading on the Model 192 to be between 10.0120 and 9.9880.
5. Select the 2VDC range on the Model 192.
6. Program the Model 220 to output +10.000-6 amps with 20V compliance.
7. Verify the reading on the Model 192 to be between 1.00122 and 0.99878.
8. Repeat steps 2 through 7 with negative output current.

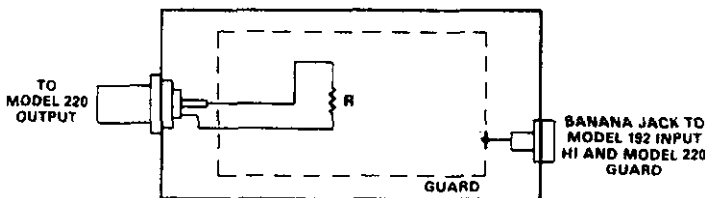
3.5.3 1μA and 100nA Range Verification

1. Construct the test fixture shown in Figure 3-2 using the 10MΩ resistor as R.
2. Measure the 10MΩ resistor with the Guildline 9520 and note the value.
3. Set up the circuit shown in Figure 3-3.
4. Set the Model 192 to the 20VDC range.
5. The GUARD of the Model 220 may input an offset of ±1mV to the Model 192. To cancel this offset, proceed as follows:
 - A. Program the Model 220 to output ±0.0000-6A.
 - B. Short the 10MΩ resistor.
 - C. Zero the display of the Model 192 by pressing the ZERO button.
 - D. Remove the short from the 10MΩ resistor.
6. Program the Model 220 to output +1.0000-6A with a 20V compliance.

7. Using the measured value of the 10MΩ resistor, calculate the voltage drop across that resistor.
Example: (+1.0000-6A) × (10.001MΩ) = 10.0010V.
(Model 220 Programmed Output) × (Measured Resistance) = (Expected Voltage Drop Across R).
8. Verify that the reading on the Model 192 is the calculated voltage drop ±0.0165V.
9. Place the Model 220 in the standby mode and take the Model 192 out of the zero mode (ZERO annunciator off).
10. Set the Model 192 to the 2VDC range.
11. Cancel the effects of guard offset from the Model 220 as follows:
 - A. Program the Model 220 to output +000.0-9A.
 - B. Short the 10MΩ resistor.
 - C. Zero the display of the Model 192 by pressing the ZERO button.
 - D. Remove the short from the 10MΩ resistor.
12. Program the Model 220 to output +100.00-9A with a 20V compliance.
13. Using the measured value of the 10MΩ resistor, calculate the voltage drop across that resistor.
Example: (+100.00-9A) × (10.001MΩ) = 1.00010V.
(Model 220 Programmed Output) × (Measured Resistance) = (Expected Voltage Drop Across R).
14. Verify that the reading on the Model 192 is the calculated voltage drop ±0.00367V.
15. Repeat steps 4 through 14 with negative current output
16. Place the Model 220 in the standby mode and take the Model 192 out of the zero mode

3.5.4 10nA and 1nA Range Verification

1. Construct the test fixture shown in Figure 3-2 using the 1GΩ resistor specified in Table 3-1.
2. Measure the 1GΩ resistor with the Guidline 9520 and note the value.
3. Set up the circuit shown in Figure 3-3.
4. Set the Model 192 to the 20VDC range.
5. Cancel the effects of guard offset from the Model 220 as follows:
 - A. Program the Model 220 to output 0.000-9A.
 - B. Short the 1GΩ resistor.
 - C. Zero the display of the Model 192 by pressing the ZERO button.
 - D. Remove the short from the 1GΩ resistor.
6. Program the Model 220 to output +10.000-9A with a 20V compliance.
7. Using the measured value of the 1GΩ resistor, calculate the voltage drop across that resistor.
Example: (+10.000-9A) × (1.001GΩ) = 10.0100V.
(Model 220 Programmed Output) × (Measured Resistance) = (Expected Voltage Drop Across R).
8. Verify that the reading on the Model 192 is the calculated voltage drop ±0.0340V.
9. Place the Model 220 in the standby mode and take the Model 192 out of the zero mode.
10. Set the Model 192 to the 2VDC range.
11. Cancel the effects of guard offset from the Model 220 as follows:
 - A. Program the Model 220 to output +.0000-9A.
 - B. Short the 1GΩ resistor.
 - C. Zero the display of the Model 192 by pressing the ZERO button.
 - D. Remove the short from the 1GΩ resistor.
12. Program the Model 220 to output +1.0000-9A with a 20V compliance.
13. Using the Measured value of the 1GΩ resistor, calculate the voltage drop across that resistor.
Example: (+1.0000-9A) × (1.001GΩ) = .00100V.
(Model 220 Programmed Output) × (Measured Resistance) = (Expected Voltage Drop Across R).
14. Verify that the reading on the Model 192 is the calculated voltage drop ±0.00542V.
15. Repeat steps 4 through 14 with negative current output.



Construction Notes:

1. To decrease settling times and to assure accurate calibrations, it is recommended to use an internal guard (as shown in the drawing above). The guard must be insulated from the surrounding case.
2. To further minimize inaccuracies, current leakage paths to ground (or guard) must be minimized. This requires the use of low leakage insulating materials for construction and the use of special cleansing agents such as freon® to clean the components and insulators after construction.

Figure 3-2. Test Fixture

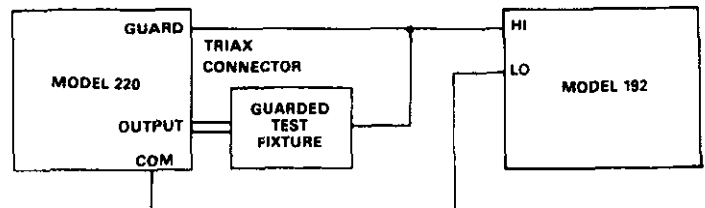


Figure 3-3. 1µA-1nA Range Verification

SECTION 4

THEORY OF OPERATION

4.1 INTRODUCTION

This section contains circuit descriptions for the Model 220. The information is arranged to provide a circuit description of individual functional circuit blocks. To facilitate understanding, the descriptions are keyed to accompany simplified block diagrams and schematics. Detailed schematics of the Model 220 are located in Section 6.

4.2 BLOCK DIAGRAMS

The circuitry of the Model 220 is represented by the two simplified block diagrams in Figures 4-1 and 4-2. Figure 4-1 shows a simplified block diagram of the Model 220's analog circuitry (power supply, range circuitry, amplifiers etc.). Figure 4-2 shows a simplified block diagram of the Model 220's digital circuitry (microprocessor, RAM, ROM, VIA etc.).

4.3 POWER SUPPLY

To facilitate understanding of the following discussion refer to schematic diagram 220-106 (sheet 2 of 2). The power supply is a conventional AC to DC power converter. Transformer T101, has three separate secondaries that are fed into three separate bridge rectifiers CR101, CR108 and the bridge configuration of CR102 through CR105. The output of CR101 is fed into regulator VR101 and is filtered by C107 and C103 producing the +5V digital supply. The output of CR108 is fed into VR102 and VR103 and is filtered by C119 through C122 to produce the positive and negative 15V supplies. The output of CR102 through CR105 is filtered by C117 and C118 to produce the positive and negative 125V supplies. R118 and R119 are bleeder resistors to prevent charge retention after AC power is removed.

A tap off of the primary of the transformer T101 supplies the nominal 115VAC to the fan.

4.4 ANALOG BOARD

To facilitate understanding of the following discussion refer to schematic diagram 220-126 (sheet 1 and 2).

The heart of the analog board is the high voltage electrometer op amp which is centered on U319. The performance of U319 is bootstrapped up to the voltage levels supplying Q318 and Q319 by Q315-Q319, Q313-Q318 and their associated circuitry. Q301, Q302, R344, R348, R349, C313 and C320 establish frequency stability for U319. R343 is an input voltage offset adjustment for U319.

A constant current source can be derived by a series voltage source and resistance from the output (analog common/guard) to the amplifier input. The amplifier input to the common of the high voltage supplies of Q318/Q319 (output common) comprises a current source. Range resistors R358, R361, R362, R378, R375, R376, R380 and R381 along with their associated calibration potentiometers, comprise the series resistance section of the current source. These resistances connect to the input node of the amplifier through relays K301-K305. When several resistances are connected through a common relay, JFET switches Q303 through Q310 are used to distinguish which resistor is being used. Several JFETs are organized in pairs for voltage sensing at the resistor to compensate for the voltage drop in the current carrying JFET.

U315 serves as a sense amplifier with Q311, Q312, R344 and R345 as a high current buffer for the higher current ranges. U314, U318A and U320 B, C, D, E and F drive the range relays. U318B, U317 and U313 A, B, C and D drive the JFET switches. U313 and U317 are voltage comparators with open collector outputs. Combined with R350, this circuitry provides the voltage drive for the switching JFETs.

The voltage source section centers around U311, the 12 bit digital to analog converter (DAC). Associated circuitry R301 through R307 and R316, are used to adjust offset and positive gain. Gain is set on the 1mA range and therefore R376 does not have an adjustment. Following this circuitry is a network providing a +/- operator to the output of U311. U312 provides the active portion while switches on U306 along with resistors R317, R318, R320 and R323 provide a selectable gain of +1 or -1.

R318 provides a gain adjust (-1mA) for this operator. The output is fed to the sense amplifier U315. R392 is an offset voltage adjustment potentiometer for U312 and U315.

Serial to parallel shift/store registers U301, U302 and U303 provide digital control from the serial data link. Data is inputted via the clock and latch lines. Latch selects the data in mode as either recirculated data out (latch = logic 0) or the overcompliance (V-limit) information (latch = logic 1). This selection is performed by U304A and B, U316B and C and U305A.

Gates U305B, C and D form a flip-flop for controlling the tri-state mode of the outputs of U301, U302 and U303. This circuitry, along with R351, R352, CR307, C305, etc., prevents erroneous current source outputs both on acquisition and loss of AC line power.

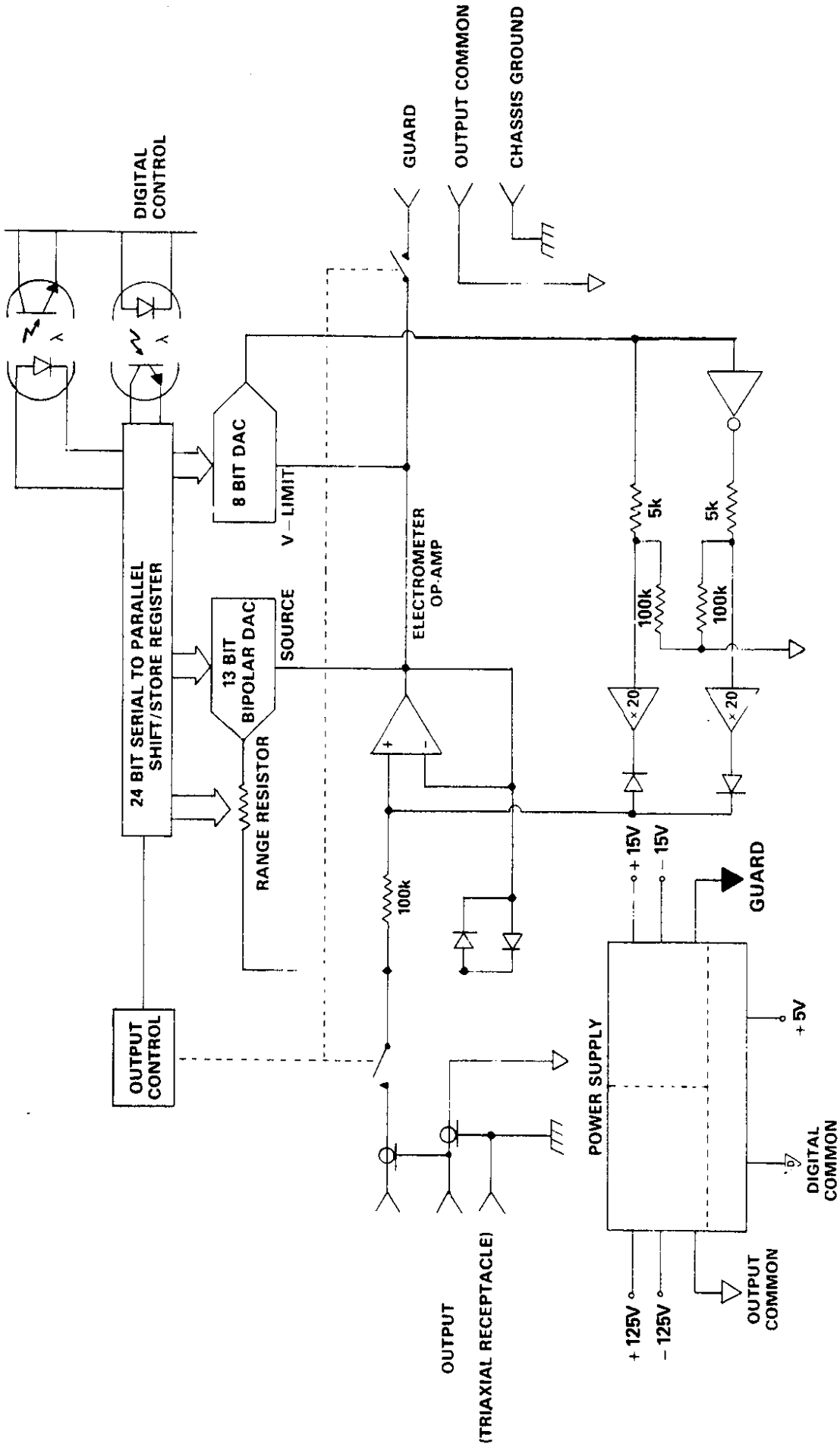
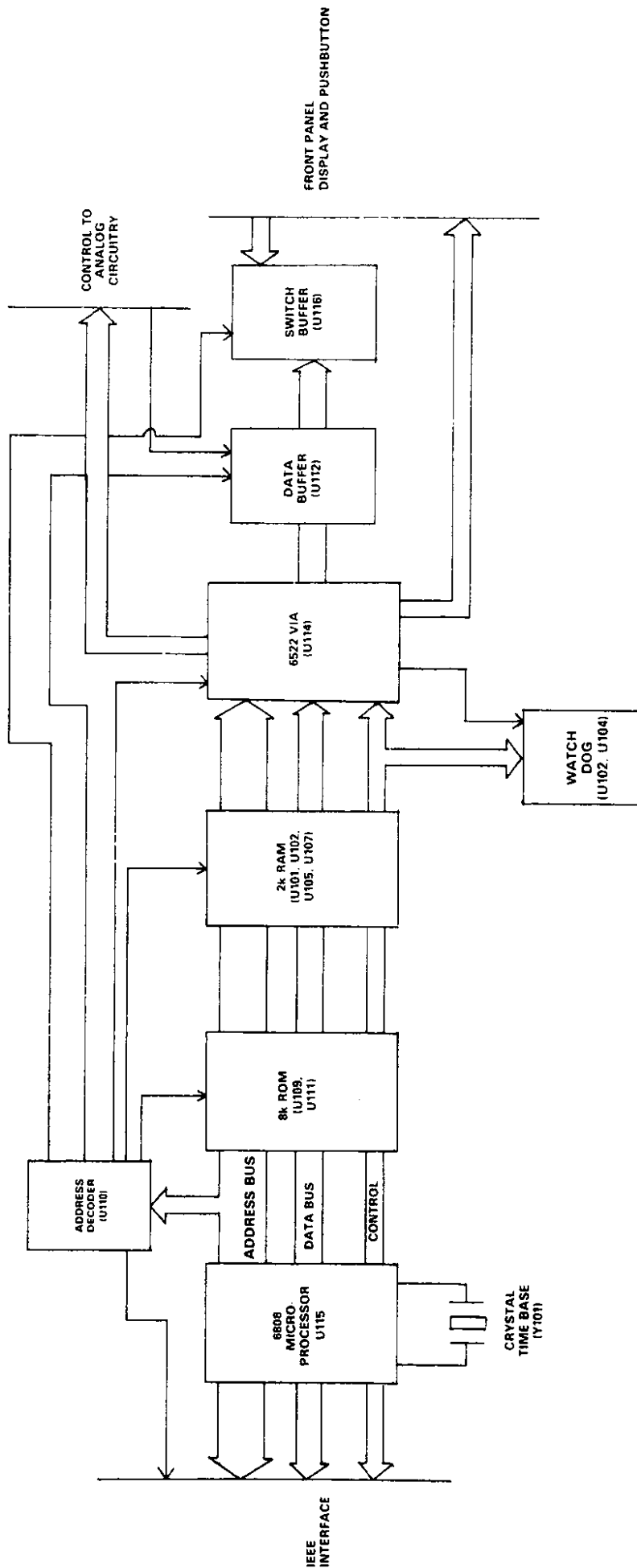


Figure 4-1. Analog Circuitry Block Diagram



FOR DETAILED INFORMATION ON THE IEEE 488 INTERFACE REFER TO THE 220/230 PROGRAMMING MANUAL

Figure 4-2. Digital Circuitry Block Diagram

The remaining portion of the analog circuitry produces the selectable compliance voltage limit. An 8 bit digital-to-analog converter (DAC) U308 starts this process. With 128 combinations, each step is scaled to represent one volt of compliance. Since U308 is a current output DAC, U309 is required to revert back to a voltage level. The output of U309 then represents the selected compliance voltage scaled down by a factor of 20.

This signal and its inverse (U309A, R324 and R327) are applied to divider network R331 and R336 which are referenced to output common. At the junction of each divider network is an amplifier which reverses the previous scaling factor. Resulting from this is an error voltage approximately equal to the difference between the actual compliance voltage level and the programmed level. Each amplifier U307A and B and the associated circuitry, is coupled through diodes CR303 and CR302 on R333. The polarity of the diodes is arranged such that a voltage is impressed on R333 only when the actual voltage compliance exceeds +/- the programmed value. This result is applied to the output node via low leakage diode CR304 preventing any further compliance voltage excursion. Current from the range resistors is shunted through diodes CR305 and CR306 when this operation limit occurs. Resistors R330 and R332 add an offset to compensate for diode drops in CR302 through CR304.

The circuit configuration of U313A and B comprise a window comparator to detect a V-limit condition across R333. The comparator limits are set by resistor divider network R338 through R341. U313A and B open collector outputs are configured in a "wire ORed" fashion through pull up resistor R346. Whenever the voltage across R333 exceeds the comparator limits, a logic 1 is developed through current limiting resistor R347 to the output of inverter U316E. C311 is used for stabilization.

VR301 supplies the digital circuitry with the required +5V. This voltage is also supplied to the digital board for use by the optically isolated portion of the circuitry.

4.5 DIGITAL BOARD (Microcomputer)

To facilitate understanding of the following discussion refer to schematic diagram 220-106 (sheet 1 of 2). For an overall block diagram of the digital circuitry refer to Figure 4-2.

The microcomputer and its associated logic circuitry, controls front panel functions (source, dwell time, program control etc.), operation of the front panel display and data through the IEEE-488 interface circuitry.

The microcomputer includes a 6808 microprocessing unit U115; a 6522 versatile interface adapter U114; two 2732 ROMs U109 and U111; four 2114 RAMs U101, U103, U105 and U107; an address decoder U110; a data bus driver U116 and the necessary reset logic. The memory utilized in this system is shown in the memory map (Figure 4-3). Using ad-

dress lines A13, A14 and A15; U110 sections the 64k of memory space into 8k and 4k segments. The total memory used is a small portion of the entire addressing capabilities of the 6808 microprocessor U115. Memory locations for the 64k addresses are assigned the values 0000_{16} through $FFFF_{16}$.

Interfacing of the microprocessor with the RAMs, ROMs, Front Panel, VIA or the IEEE-488 interface is controlled by the address decoder, U110.

Partial address decoding is used in this system. The function selected is determined by the state of the address lines A13, A14 and A15. These address lines determine which output is selected at the decoder U110 in accordance with the memory map. Only one of the devices (RAM, ROM, VIA, etc.) will have access to the data bus at any time. The address decoder selects one of the devices only after a Valid Memory Address VMA has been asserted at the decoders input EN (pin 6). The VMA signal is generated by the 6808 microprocessor.

Timing for the computing sequence is provided by the 4MHz crystal Y101. The 6808 microprocessor divides this signal by four to produce a 1MHz signal at the $\Phi 2$ output (pin 37).

U102, U104, U106C, U108C and their associated circuitry, forms a reset network (watchdog) which resets the microprocessor, VIA and the IEEE-488 interface. The circuit actuates in the event the front panel display is not updated after a specific period of time has elapsed due to a lost program or power line transient.

The digital circuitry is optically isolated from the analog circuitry by AT101 through AT104, U113A, B, U117 and their associated circuitry. The output signals consist of latch, clock and data out. These signal lines permit serial communication to the analog circuitry. The data in signal line is received from the analog circuitry and is either the recirculated data or the overcompliance (V-limit) data depending on the state of the latch line. When the latch line is a logic 1, the data in line will represent the compliance state (logic 1 implies an overcompliance or V-limit). When the latch line is a logic 0, the data in line will be the recirculated data sent out to the analog side as data out. This data is inverted on the digital side of the isolation.

The remaining circuitry on the digital board consists of external trigger inputs and outputs. C123, CR112, CR111, R121 and R128 comprise an input protection network for triggering input to PB6 of the VIA (U114). V113D, CR109, CR110, R127 and R122 buffer a triggered output originated on PB3 of the VIA (U114).

4.6 DISPLAY CIRCUIT

The display information is outputted on PA0 through PA7 on the VIA (I/O) bus. The information is updated at a 1kHz

rate which means, each digit is on for 1ms. Each update begins by presenting new segment information on the VIA (I/O) bus (PA0-PA7) and outputting a clock pulse on CA2. The clock pulse inputs to U203 and shifts a digit enable bit to the next digit to be enabled. Every eight times the display is updated, a digit enable bit is generated at PB5 and goes to the enable data input of the shift register.

The first four digit drivers drive the rows of the switch matrix. The switches are arranged in a four by six matrix. The segment drivers are Q201 through Q208. In addition to driving the various segments, they also activate the appropriate LEDs.

MEMORY ADDRESS (HEX)	I/O FUNCTION
0000	RANDOM ACCESS MEMORY U101 AND U105
1FFF 2000	
3FFF 4000	RANDOM ACCESS MEMORY U103 AND U107
4FFF 5000	
5FFF 6000	DATA BUFFER U112
7FFF 8000	VERSATILE INTERFACE ADAPTER U114 SWITCH BUFFER (FROM FRONT PANEL) U116
9FFF A000	IEEE-488 INTERFACE
BFFF C000	READ-ONLY MEMORY U111
CFFF D000	NOT ACCESSABLE
DFFF E000	READ-ONLY MEMORY U109
EFFF F000	NOT ACCESSABLE
FFFF	VECTOR JAM TO D000 THROUGH DFFF FOR U109

Figure 4-3. Memory Map

SECTION 5 MAINTENANCE

5.1 INTRODUCTION

This section contains information necessary to maintain the Model 220. Calibration adjustment, troubleshooting, fuse replacement, line voltage selection, fan filter cleaning and all information pertinent to maintenance is provided.

5.2 CALIBRATION

Calibration should be performed yearly (every 12 months) or whenever performance verification (see Section 3) indicates that the Model 220 is out of specification. If any step in the calibration procedure cannot be performed properly, refer to paragraph 5.4 for troubleshooting information or contact your Keithley representative or the factory.

WARNING

All service information is intended for qualified electronic maintenance personnel only.

5.2.1 Recommended Test Equipment

Recommended test equipment for calibration is listed in Table 5-1. Alternate test equipment may be used. However, the accuracy of the alternate test equipment must at least be equal to the specifications in Table 5-1.

5.2.2 Environmental Conditions

Calibration should be performed under laboratory conditions having an ambient temperature of $23^{\circ}\text{C} \pm 1^{\circ}\text{C}$ and a relative humidity of less than 50%.

5.2.3 Warm-Up

The Model 220 must be turned on and allowed one hour for warm-up. If the instrument has been subjected to extremes of temperature, allow sufficient time for internal temperatures to reach normal operating conditions. Typically, it takes one hour to stabilize a unit that is 10°C (18°F) out of the specified temperature range.

5.2.4 Calibration Fixtures

In order to meet the specifications of the Model 220, the $10\text{M}\Omega$ and $1\text{G}\Omega$ resistors used to calibrate the Model 220 must be enclosed in a guarded fixture. The guarded fixture must be constructed. The following items are necessary for proper construction of the calibration fixture:

1. $10\text{M}\Omega$ Resistor, Keithley Part Number R-305-10M
2. $1\text{G}\Omega$ Resistor, Keithley Part Number R-289-1G
3. Two enclosed chassis boxes, one to be placed inside the other and insulated from each other.
4. One Triax Connector, Keithley Part Number CS-181
5. One Banana Jack, Keithley Part Number BJ-11

The test fixture shown in Figure 5-2 is to be used to calibrate the $1\mu\text{A}$ and 100nA ranges. A duplicate test fixture must be constructed with the $1\text{G}\Omega$ resistor in order to calibrate the 10nA and 1nA ranges.

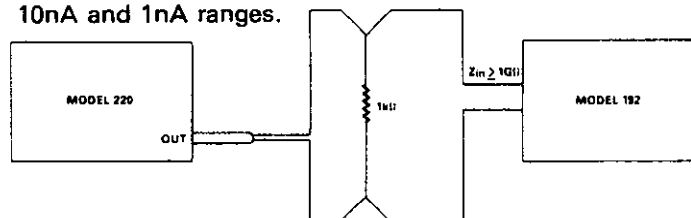


Figure 5-1. Calibration Setup

Table 5-1 Recommended Test Equipment

Item	Description	Specification	Mfr.	Model
A	DMM	$\pm 0.005\%$ to $10\mu\text{V}$	Keithley	192
B	Resistor*	$10\Omega \pm .1\%$	Keithley	R-185-10
C	Resistor*	$100\Omega \pm .1\%$	Keithley	R-308-100Ω
D	Resistor*	$1\text{k}\Omega \pm .1\%$	Keithley	R-315-1k
E	Resistor*	$100\text{k}\Omega \pm .02\%$	Keithley	R-182-100k
F	Resistor*	$10\text{M}\Omega \pm .25\%$	Keithley	R-305-10M
G	Resistor*	$1\text{G}\Omega \pm 2\%$	Keithley	R-289-1G
H	Teraohmeter		Guildline	9520
I	Calibration Fixture			

NOTE*

Before placing the resistors in the test configurations, measure them and note the value. Zero the Model 192 before measuring the 10Ω , 100Ω , $1\text{k}\Omega$ and the $100\text{k}\Omega$ resistors with the Model 192. Measure the $10\text{M}\Omega$ and $1\text{G}\Omega$ resistors with the Guildline 9520. These values will be used later in the calibration procedure.

5.2.5 Calibration Adjustments

Use the following procedure and make the adjustments indicated to calibrate the Model 220. To locate adjustment points, remove the top cover and refer to the analog board shield.

WARNING

To prevent a shock hazard, turn the instrument off, remove the line cord and all test leads from the instrument before removing the top cover.

1. Remove the top cover (see paragraph 5.5, step 1). Warm-up with top cover in place. Minimize the time the cover is removed.
2. Short the output of the Model 220 (HI to LO). Monitor the guard output with the Model 192 (Item A Table 5-1) on the .2VDC range. Program the Model 220 for an output of +.0000-3 amps and a compliance of 10V. Locate and adjust R343 for a reading on the Model 192 of $.000000 \pm 20\mu\text{V}$.
3. Remove the short from the output and connect the Model 220 and Model 192 as shown in Figure 5-1. Program the Model 220 output +.0000-3 amps. Monitor the Model 220 output on the Model 192. Invert the Model 220 output (press \pm and ENTER on the Model 220) and note the change in current. Calculate the average reading when the output is changed from positive to negative and adjust R304 for the calculated value. Then adjust R392 for a reading of less than $\pm 100\text{nA}$ ($100\mu\text{V}$ across $1\text{k}\Omega$).
4. Set up the circuit shown in Figure 5-1 and 5-3. Follow Table 5-2 to calibrate the ranges of the Model 220.

NOTE

The allowable reading on the Model 192 is the product of the measured shunt resistance times the Model 220 output. For example in Table 5-2, step a:

measured shunt resistance = $1\text{k}\Omega$

Model 220 output = 1.9mA

calculated output = $1.9\text{V} \pm 300\text{ppm}$ or $570\mu\text{V}$

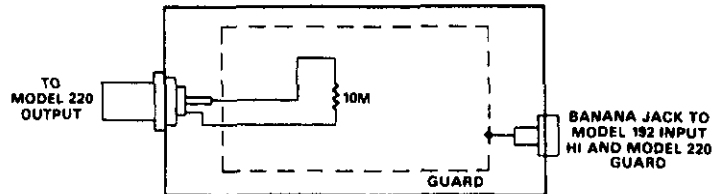
Table 5-2. Calibration

Step	220 Setting (Range)	Compliance	Adjustment Point	Shunt R	Model 192 Range	Allowable Reading on the Model 192 at 5½ Digit Resolution
a	1.9E-3	30V	R303	1kΩ	2VDC	$(1\text{k}\Omega)(1.9\text{E}-3) = \text{Calculated Output} \pm 300\text{ppm}$ or $570\mu\text{V}$
b	-1.9E-3	30V	R318	1kΩ	2VDC	$(1\text{k}\Omega)(-1.9\text{E}-3) = \text{Calculated Output} \pm 300\text{ppm}$ or $570\mu\text{V}$
c	100E-3	30V	R381	10Ω	2VDC	$(10\Omega)(100\text{E}-3) = \text{Calculated Output} \pm 750\text{ppm}$ or $750\mu\text{V}$
d	19E-3	30V	R386	100Ω	2VDC	$(100\Omega)(19\text{E}-3) = \text{Calculated Output} \pm 300\text{ppm}$ or $570\mu\text{V}$
e	190E-6	30V	R385	100kΩ	20VDC	$(100\text{k}\Omega)(190\text{E}-6) = \text{Calculated Output} \pm 250\text{ppm}$ or 4.8mV
f	19E-6	30V	R384	100kΩ	2VDC	$(100\text{k}\Omega)(19\text{E}-6) = \text{Calculated Output} \pm 300\text{ppm}$ or $570\mu\text{V}$
† Shunt Measurement Technique† ‡ User of Guarded Fixtures‡						
g	1.9E-6*	30V	R354	10MΩ	20VDC	$(10\text{M}\Omega)(1.9\text{E}-6) = \text{Calculated Output} \pm 600\text{ppm}$ or 11.4mV
h	190E-9*	30V	R355	10MΩ	2VDC	$(10\text{M}\Omega)(19\text{E}-9) = \text{Calculated Output} \pm 2500\text{ppm}$ or 4.75mV
i	19E-9**	30V	R356	1GΩ	20VDC	$(1\text{G}\Omega)(19\text{E}-9) = \text{Calculated Output} \pm 2250\text{ppm}$ or 42.8mV
j	1.9E-9**	30V	R357	1GΩ	2VDC	$(1\text{G}\Omega)(1.9\text{E}-9) = \text{Calculated Output} \pm 2250\text{ppm}$ or 4.28mV

*Use the constructed $10\text{M}\Omega$ Guarded Fixture in the circuit shown in Figure 5-3.

**Use the constructed $1\text{G}\Omega$ Guarded Fixture in the circuit shown in Figure 5-3.

5. Remove the current measurement test configuration and monitor the Model 220 output with the Model 192 on the 200VDC range. Program the Model 220 to $+19.000\text{E}-6$ amps and a compliance of 100V. Adjust R319 for a reading of $100.000 \pm 0.2\text{V}$.
6. This completes the calibration of the Model 220. To verify correct calibration refer to Section 3.



Construction Notes:

1. To decrease settling times and to assure accurate calibrations, it is recommended to use an internal guard (as shown in the drawing above). The guard must be insulated from the surrounding case.
2. To further minimize inaccuracies, current leakage paths to ground (or guard) must be minimized. This requires the use of low leakage insulating materials for construction and the use of special cleansing agents such as freon® to clean the components and insulators after construction.

Figure 5-2. Calibration Fixture

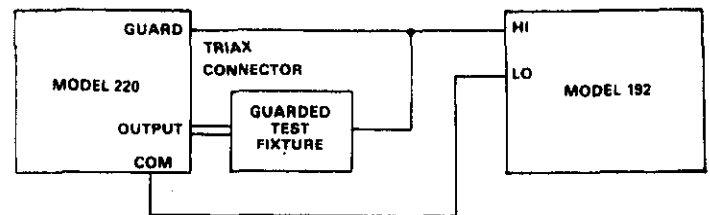


Figure 5-3. $1\mu\text{A}$ to 1nA Calibration

5.3 FUSE REPLACEMENT

If power fails, first verify that the fuse (F101) is not defective before disassembling the Model 220. If the line voltage setting is changed (S102) the fuse must be replaced according to Tables 5-3 and 5-4. The fuse is accessible from the rear panel. To replace the fuse proceed as follows:

1. Turn power off and disconnect the line cord.

2. The fuse carrier is spring loaded. Using a slotted screwdriver, push the fuse carrier in and rotate ¼-turn counter-clockwise. The carrier and fuse will eject from the holder.
3. Remove the fuse from the carrier and replace per Table 5-3 or Table 5-4.

WARNING

To prevent a shock hazard, always turn the instrument off and disconnect the line cord before replacing the line fuse.

CAUTION

Do not install a fuse with a higher rating than specified in Table 5-3 or 5-4. Instrument damage may result.

4. To install the fuse and carrier into the holder, reverse the procedure in step 2.

Table 5-3. Fuse Replacement, 3AG Size

Line Voltage	Fuse F101	Keithley Part No.
90V-110V*	3/4A, 250V, 3AG, SLO BLO	FU-19
105V-125V	3/4A, 250V, 3AG, SLO BLO	FU-19
180V-220V*	3/8A, 250V, 3AG, SLO BLO	FU-18
210V-250V	3/8A, 250V, 3AG, SLO BLO	FU-18

*Requires special factory installed transformer TR-187.

Table 5-4. Fuse Replacement, 5mm Size

Line Voltage	Fuse F101	Keithley Part No.
90V-110V*	0.8A, 250V, SLO BLO	FU-52
105V-125V	0.8A, 250V, SLO BLO	FU-52
180V-220V*	0.4A, 250V, SLO BLO	FU-53
210V-250V	0.4A, 250V, SLO BLO	FU-53

*Requires special factory installed transformer TR-187.

5.4 LINE VOLTAGE SELECTION

Set up the Model 220 to operate on the available AC line voltage as follows:

WARNING

To prevent a shock hazard, turn the instrument off and disconnect the line cord. Also, remove all test leads from the instrument before removing the top cover.

1. Remove the top cover (see paragraph 5.5 step 1).
2. Refer to Table 5-5 and set switch S102 (located near the transformer, underneath the IEEE-488 interface board) accordingly.
3. Install proper fuse per paragraph 5.3.

NOTE

The line voltage setting of the instrument is marked on the rear panel. The following procedure can be used either to confirm the factory setting, or to set up the instrument for operating on another voltage range. If the line

voltage range is changed, the box next to the selected line voltage should be appropriately marked as an external reminder of the setting. Use a water soluble marking pen.

Table 5-5. Line Voltage Selection

Line Voltage	Line Frequency	Switch S102
90V-110V*	50Hz-60Hz	115V
105V-125V	50Hz-60Hz	115V
195V-235V*	50Hz-60Hz	230V
210V-250V	50Hz-60Hz	230V

*Requires special factory installed transformer TR-187.

5.5 DISASSEMBLY

If it is necessary to remove or replace a component, use the following procedure to aid in disassembly of the Model 220.

1. Remove the top cover as follows:

WARNING

Turn the instrument off, remove all test leads from the instrument and disconnect the power cord before removing the top cover.

- a. Remove the two retaining screws located at the rear of the instrument.
- b. Grasping the top cover at the rear, carefully lift it off the instrument.
- c. When installing the top cover, make sure that the three tabs located at the front of the cover engage in the front panel assembly.
2. Remove the IEEE-488 interface board.
 - a. Unplug ribbon cable (J/P1004) at the mother board.
 - b. Remove the phillips head retaining screw located near J1004 on the interface board.
 - c. Remove the two retaining bolts that secure the interface board and IEEE-488 connector to the rear panel.
 - d. Lift the interface board out of the mainframe.
3. Remove the analog board shield.
 - a. Remove the four slot head screws that secure the shield to the analog board.
 - b. Lift the shield and the four slot head screws away from the analog board.
4. Remove the input node and relay analog shields.
 - a. Remove the single phillips head screw located in the middle of the shield.
 - b. Lift both shields away from the analog board.

NOTE

The circuitry located beneath the analog board shields is extremely sensitive. Do not touch any of the range resistors or input cable.

5. Remove the analog board.
 - a. Remove the phillips head screw located directly behind the two power transistors with heat sinks.

- b. Unplug the ribbon cable (J/P1003) from the analog board.
- c. Remove the bottom shield of the analog board by removing the two phillips head screws that secure the shield to the board.

NOTE

Do not remove the input cable.

- 6. Place the analog board along the side of the Model 220.
- 7. Remove the mother board from the case.
 - a. Remove the four plastic standoffs.
 - b. Remove the two phillips head screws that secure the mother board to the case. They are located at the rear of the mother board one by the fan and the other is by the line voltage selector switch S102.
 - c. Remove the two phillips head screws that secure the case to the rear panel.
 - d. Unplug the display ribbon cable (J/P1002) from the mother board.
 - e. Grasp the mother board and the rear panel simultaneously. Lift the mother board and rear panel up and toward the rear of the instrument. Then lift the mother board and rear panel out of the case.
- 8. Remove the display board.
 - a. Remove the two phillips head screws that secure the display board to the front panel.
 - b. Remove the front panel buttons.
 - c. Lift the display board out of the case.
- 9. For reassembly, perform steps 1-8 in reverse order.

NOTE

When installing connectors J/P1004, J/P1003 and J/P1002 be sure to align pin one of the connector to pin one of the cable.

5.6 FAN FILTER MAINTENANCE

The internal temperature generated by the Model 220 necessitates the forced air cooling provided by the fan. The fan has an air filter which keeps the Model 220 relatively free of dust and dirt. Dust and dirt collect on the filter and impede the air flow through the instrument. Lack of air flow will cause overheating. Therefore, the filter must be kept clean in order for the Model 220 to achieve optimum performance. To clean the filter:

- 1. Remove the filter from the fan.
- 2. Use compressed air to remove the dust and dirt from the filter. If the filter is excessively dirty wash it in mild soap and water and dry it with compressed air.
- 3. Reinstall the filter.

5.7 SPECIAL HANDLING OF STATIC SENSITIVE DEVICES

MOS devices are designed to function at high impedance levels. Normal static charge can destroy these devices. Table 5-6 lists all the static sensitive devices of the Model 220. Steps 1 through 7 provide instruction on how to avoid damaging these devices.

Table 5-6. Model 220 Static Sensitive Devices

Reference Designation	Keithley Part No.
U101, U103, U105, U107	LSI-15
U102	IC-197
U109	220-800-B5
U111	220-801-B5
U112, U301, U302, U303	IC-251
U114	LSI-28
U115	LSI-27
U116	IC-250
U304	IC-138
U305, U314	IC-102
U306	IC-320
U308	IC-321
U311	IC-323
U316	IC-106
Q302	TG-139

- 1. Devices should be handled and transported in protective containers, antistatic tubes or conductive foam.
- 2. Use a properly grounded work bench and a grounding wriststrap.
- 3. Handle devices by the body only.
- 4. PC boards must be grounded to bench while inserting devices.
- 5. Use antistatic solder suckers.
- 6. Use grounded tip soldering irons.
- 7. After devices are soldered or inserted into sockets they are protected and normal handling can resume.

5.8 TROUBLESHOOTING

The troubleshooting information in this section is intended for use by qualified personnel who have a basic understanding of the analog and digital circuitry used in a precision test instrument. Instructions have been written to assist in isolating the defective circuit. Isolating the defective component has been left up to the troubleshooter. Refer to Table 5-7 for power supply checks. Refer to Table 5-8 for Analog board checks. Refer to Table 5-9 for digital circuitry checks. Refer to Table 5-10 for display board checks. Refer to Table 5-11. for IEEE-488 interface board checks.

NOTE

For instruments that are still under warranty (less than 12 months since date of shipment), whose performance falls outside specification at any point, contact your Keithley representative or the factory before attempting troubleshooting or repair.

5.8.1 Servicing High Impedance Circuitry

High impedance circuitry is extremely sensitive and must be kept clean of oil, dirt, dust and contaminants. Replacing a component or components within a high impedance circuit requires special cleaning and handling to maintain the high impedance level of the circuit. After replacing any compo-

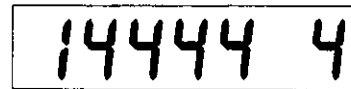
nent in the high impedance circuitry, or if the high impedance circuitry (1nA-1μA range resistors) are contaminated, use the following procedure to clean the circuit:

1. Clean the entire high impedance circuit with methanol and a clean cotton swab.
2. Blow dry the circuit with dry nitrogen gas.
3. Inspect the circuit for any residue (contamination) and repeat steps 1 and 2 if any residue is found.
4. Reassemble taking care not to touch the clean components.

5.8.2 Digital Self Test

Upon power-up the Model 220 performs a digital self test of the RAM (2114's) chips and a cyclic redundancy check (CRC) of the ROM (2732's) chips. If the self test or the CRC reveals a problem with any of the memory chips, the Model

220 will display an error message corresponding to the defective chip. For example; the digital self test reveals that RAM chip number four is defective. The Model 220 displays a flashing:



This informs the operator the RAM chip number four is defective. Refer to Figure 5-4 for chip number assignment.

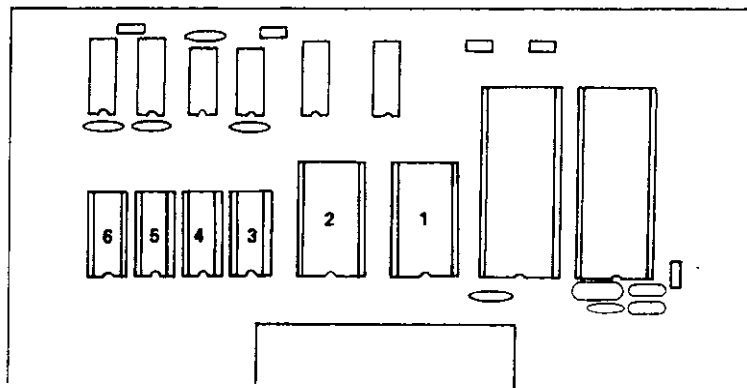



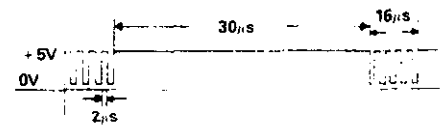
Figure 5-4. Memory Chip Number Assignment

Table 5-7. Power Supply Checks

Step	Item/Component	Required Condition	Remarks
		Unit turned on, properly rated F101 has continuity. Line selector switch S102 verified in correct position.	
1	Q319 Collector	+ 130VDC ± 15%	+ 125 Volt Supply*
2	Q318 Collector	- 130VDC ± 15%	- 125 Volt Supply*
3	VR301 Input	+ 15VDC ± 15%	+ 15 Volt Supply**
4	V311 pin 14	- 15VDC ± 15%	- 15 Volt Supply**
5	TP2	+ 5VDC ± 5%	+ 5 Volt Digital Supply***

- *Referenced to output common. ▾
- **Referenced to analog common. ▾
- ***Referenced to digital common. ▾

Table 5-8. Analog Board Checks

Step	Item/Component	Required Condition	Remarks
1	U320 pin 11	Program the Model 220 for 100mA at a 100V compliance. Press Operate $+0.7V \pm .1V$	Connect a 100Ω, 1W load resistor across the output. 100mA range relay and output relay are energized. Output of sense amplifier. 10mA range relay is energized. 1mA range relay is energized. 100μA range relay is energized. 10μA range relay is energized. 1μA range relay is energized. 100nA range relay is energized. 10nA range relay is energized. All other range relays are dennergized.
2	U315 pin 2	$+9.8V \pm 0.1V$	
3	U320 pin 15	Program the Model 220 to output 10mA. $+0.7V \pm .1V$	
4	U320 pin 15	Program the Model 220 to output 1mA. $+0.7V \pm .1V$	
5	U320 pin 15	Program the Model 220 to output 100μA. $+0.7V \pm .1V$	
6	U320 pin 15	Program the Model 220 to output 10μA. $0.7V \pm .1V$	
7	U320 pin 12	Program the Model 220 to output 1μA. $0.7V \pm .1V$	
8	U320 pin 13	Program the Model 220 to output 100μA. $0.7V \pm .1V$	
9	U320 pin 14	Program the Model 220 to output 10nA. $+0.7V \pm .1V$	
10	U320 pins 11, 12, 13, 14 and 15.	Program the Model 220 to output 1nA. $+5V \pm .5V$	
11	U309 pin 1	$-5V$ (For a programmed compliance voltage of 100V.)	
12	U311 pins 24 and 16	$+6.3V \pm .1V$	12 Bit DAC Reference 8 Bit DAC Reference
13	U310 pin 6	$-6.3V \pm .1V$	
14	U316 pin 9		Latch Line
15	U304 pin 12		Clock Line

NOTE

All measurements in Table 5-8 are referenced to analog common (guard).

Table 5-9. Digital Circuitry

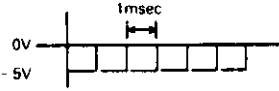
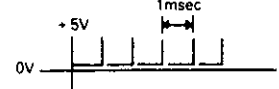
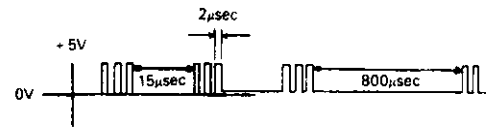
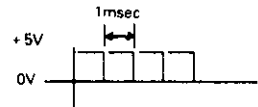
Step	Item/Component	Required Condition	Remarks
1	J1004 pins 1, 2 and 4 (referenced to pins 24, 25 and 26)	+5V ± 5%	+ 5 Volt Digital Supply
2	U315 pin 37 (Φ2)	0V to 4V squarewave at 1MHz	1MHz Clock
3	U115 pin 40 (reset)	+5V ± 5%	Reset Line
4	U114 pin 15	Negative going pulse (+5V to 0V) occurring every 8msec.	Strobe for display board.
5	U114 pin 39	Negative going pulse (+5V to 0V) occurring every 1msec	Clock input for Display Board
6	U115 pin 4, U114 pin 21	1kHz clock	IRQ Line
7	U111, U110, U103, U105 U101 and U107	RAM and ROM (see paragraph 5.8.3 Digital Self Test)	Digital Self Test
8	U117 pin 6 (referenced to Analog Common)		Data Out Line (Analog Side)
9	U117 pin 4 (referenced to Analog Common)		Data in Line (Analog Side)
10	U113 pin 3 (referenced to Digital Common)		Clock to Analog Side
11	U113 pin 6 (referenced to Digital Common)		Latch Enable

Table 5-10. Display Checks

Step	Item/Component	Required Condition	Remarks
1	Display	Turn on Power + 1.8.8.8.8 + 1.8	All display segments and LED's will light for several seconds.
2	P1002 pins 9 and 14	+5V ± 5%	If low, check per Table 5-7.
3	U203 pin 1		Update Data
4	U203 pin 8		Clock.

Table 5-11. IEEE-488 Interface Board Checks

Step	Item/Component	Required Condition	Remarks
1	P1004 pins 1, 2, 3 and 4 referenced to P1004 pins 24, 25 and 26	+5V \pm 10% referenced to Digital Common	+5V Digital Supply
2	S401 (A1-A5)	In the "1" position the switch is pulled up to +5V \pm 10%	Primary Address
3	U404 pin 18 (Φ E)	1MHz square wave at 0V to +5V	Clock to U404
4	U404 pin 9	+5V signal being pulsed to 0V every 1msec	IRQ Line
5	U404 pin 19	+5V (logic "1") Program the Model 220 into Remote (primary address 12)	RESET Line
6	U405 pins 19 and 2 (D1 and B1)	Logic "1" (\approx +5V)	Information across bus transceiver.
7	U405 pins 18 and 3 (D2 and B2)	Logic "1" (\approx 5V)	Information across bus transceiver.
8	U405 pins 17 and 4 (D3 and B3)	Logic "0" (\approx 0V)	Information across bus transceiver.
9	U405 pins 16 and 5 (D4 and B4)	Logic "0" (\approx 0V)	Information across bus transceiver.
10	U405 pins 15 and 6 (D5 and B5)	Logic "1" (\approx +5V)	Information across bus transceiver.
11	U405 pins 14 and 7 (D6 and B6)	Logic "0" (\approx 0V)	Information across bus transceiver.
12	U405 pins 13 and 8 (D7 and B7)	Logic "1" (\approx +5V)	Information across bus transceiver.
13	U405 pins 12 and 9 (D8 and B8)	Logic "1" (\approx +5V)	Information across bus transceiver.

NOTE

All measurements in Table 5-11 are referenced to digital common.

SECTION 6 REPLACEABLE PARTS

6.1 INTRODUCTION

This section contains replacement parts information, schematic diagrams, and component location drawings for the Model 220. An exploded view of the Model 220 is shown in Figure 6-1, while an illustration of the Fan Assembly is shown in Figure 6-2.

6.2 PARTS LIST

Parts are listed alphabetically in order of their circuit designations. Table 6-1 contains an index of the schematic diagrams and component location drawings included at the end of this section. Table 6-2 contains a parts list for the Model 220 motherboard. Table 6-3 contains a parts list for the display board. Table 6-4 contains a parts list for the analog board. Table 6-5 contains a parts list for the IEEE interface board.

Table 6-1. Index of Model 220 Schematics and Component Layouts

Title	Figure
Display Board Component Layout	6-3
Mother Board Component Layout	6-4
Analog Board Component Layout	6-5
IEEE Interface Board Component Layout	6-6
Display Board Schematic	6-7
Mother Board Schematic	6-8
Analog Board Schematic	6-9
IEEE Interface Schematic	6-10

6.3 ORDERING INFORMATION

To place an order, or to obtain information concerning replacement parts, contact your Keithley representative or the factory. See the inside front cover for addresses. When ordering include the following information:

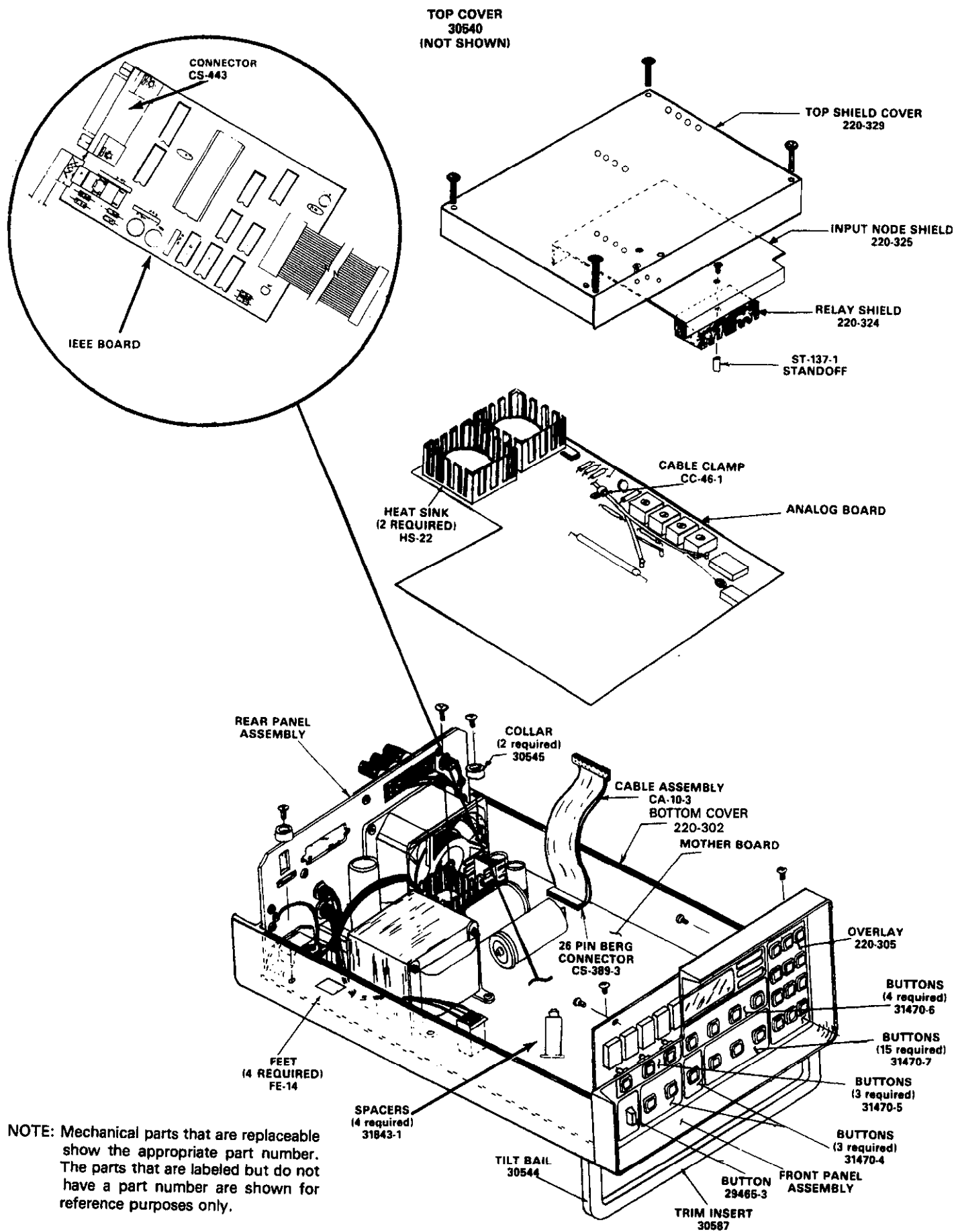
1. Instrument Model Number
2. Instrument Serial Number
3. Part Description
4. Circuit Description (if applicable)
5. Keithley Part Number

6.4 FACTORY SERVICE

If the instrument is to be returned to the factory for service, complete the service form which follows this section and return it with the instrument.

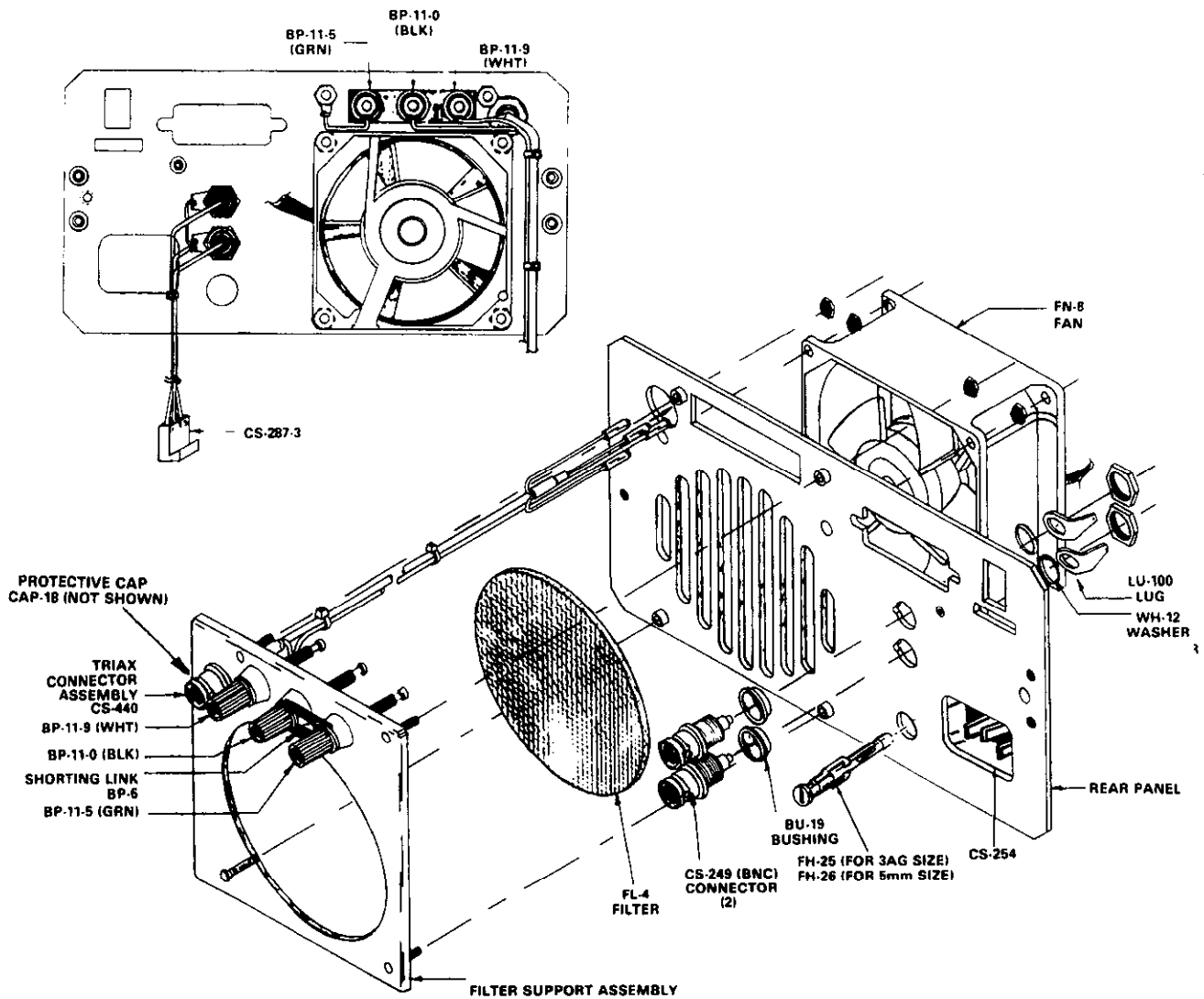
6.5 SCHEMATIC DIAGRAMS AND COMPONENT LOCATION DRAWINGS

Schematic diagrams and component location drawings follow the replaceable parts list information in the order listed in Table 6-1.



NOTE: Mechanical parts that are replaceable show the appropriate part number. The parts that are labeled but do not have a part number are shown for reference purposes only.

Figure 6-1. Model 220 Exploded View



NOTE: Mechanical parts that are replaceable show the appropriate part number. The parts that are labeled but do not have a part number are shown for reference purposes only.

Figure 6-2. Model 220 Fan Assembly

Table 6-2. Mother Board D220-103, Parts List

Circuit Desig.	Description	Location		Keithley Part No.
		Sch.	Pcb.	
AT101	Optical Isolator, 6N137	G1	D4	IC-292
AT102	Optical Isolator, 6N137	G3	D4	IC-292
AT103	Optical Isolator, 6N137	G2	D5	IC-292
AT104	Optical Isolator, 6N137	G3	D5	IC-292
C101	.1 μ F, 16V, Ceramic Disc	E4	D2	C-238-.1
C102	.1 μ F, 16V, Ceramic Disc	G4	D2	C-238-.1
C103	10 μ F, 25V, Aluminum Electrolytic	D4	D2	C-314-10
C104	6800pF, 500V, Ceramic Disc	F5	D2	C-22-.0068
C105	.1 μ F, 16V, Ceramic Disc	E5	D2	C-238-.1
C106	.01 μ F, 500V, Ceramic Disc	B4	G3	C-22-.01
C107	10,000 μ F, 25V, Aluminum Electrolytic	C4	G3	C-342-10000
C108	.1 μ F, 16V, Ceramic Disc	F2	D3	C-238-.1
C109	.1 μ F, 16V, Ceramic Disc	F1	D4	C-238-.1
C110	.1 μ F, 16V, Ceramic Disc	C1	C4	C-238-.1
C111	.1 μ F, 16V, Ceramic Disc	G3	E4	C-238-.1
C112	.1 μ F, 16V, Ceramic Disc	G2	E5	C-238-.1
C113	.1 μ F, 16V, Ceramic Disc	B1	C5	C-238-.1
C114	22pF, 1000V, Ceramic Disc	B3	C5	C-64-22p
C115	22pF, 1000V, Ceramic Disc	B3	C5	C-64-22p
C116	.1 μ F, 16V, Ceramic Disc	G3	E5	C-238-.1
C117	330 μ F, 160V, Aluminum Electrolytic	D2	E5	C-337-330
C118	330 μ F, 160V, Aluminum Electrolytic	C2	E5	C-337-330
C119	10 μ F, 25V, Aluminum Electrolytic	D3	F5	C-314-10
C120	10 μ F, 25V, Aluminum Electrolytic	D3	F6	C-314-10
C121-C122	1000 μ F, 35V, Aluminum Electrolytic		F6	C-309-1000
C123	330pF, 500V, Ceramic Disc	F5	E3	C-22-330p
C124				C-178-.1
CR101	Rectifier Bridge (5A), PEO5	C4	G3	RF-64
CR102	Rectifier, 1N4006	C2	E4	RF-38
CR103	Rectifier, 1N4006	C2	E4	RF-38
CR104	Rectifier, 1N4006	C2	E4	RF-38
CR105	Rectifier, 1N4006	C2	E4	RF-38
CR106	Rectifier, 1N4006	C3	F5	RF-38
CR107	Rectifier, 1N4006	C3	F5	RF-38
CR108	Rectifier Bridge (1.5A), PF-40	C3	F5	RF-46
CR109	Rectifier, 1N4006	G5	E3	RF-38
CR110	Rectifier, 1N4006	G5	E3	RF-38
CR111	Rectifier, 1N4006	G5	E3	RF-38
CR112	Rectifier, 1N4006	G5	—	RF-38
F101	Fuse, 3/8 Amp, 250V, Slo-Blo	A4	H3	FU-18
F101	Fuse, 3/4 Amp, 250V, Slo-Blo	A4	H3	FU-19
F101	Fuse, 8/10 Amp, 250V, Slo-Blo	A4	H3	FU-52
F101	Fuse, 4/10 Amp, 250V, Slo-Blo	A4	H3	FU-53
J1001	Power Connector	A4	G2	CS-388
J1003	Cable Assembly (26-pin)	—	E5	CA-10-3
J1008	Socket 16-pin	H5	—	SO-65
P1004	500V, Connector Male	—	B3	CS-389-3
P1005	2 pin, Connector	A1, B1	G2	CS-288-2
P1006	3 pin, Molex Connector	H5	D2	CS-288-3
R101	18k, 5%, 1/4W, Composition	E4	D2	R-76-18k
R102	4.7k, 5%, 1/4W, Composition	F1	D3	R-76-4.7k
R103	220k, 5%, 1/4W, Composition	C4	F3	R-76-220k
R104	4.7k, 5% 1/4W, Composition	F2	E4	R-76-4.7k
R105	390 Ω , 5%, 1/4W, Composition	F1	E4	R-76-390
R106	220 Ω , 5%, 1/4W, Composition	G3	D4	R-76-220
R107	2.4k, 5%, 1/4W, Composition	G3	E4	R-76-2.4k
R108	220 Ω , 5%, 1/4W, Composition	G2	D5	R-76-220
R109	2.4k, 5%, 1/4W, Composition	G2	E5	R-76-2.4k

Table 6-2. Mother Board D220-103, Parts List (Cont.)

Circuit Desig.	Description	Location		Keithley Part No.
		Sch.	Pcb.	
R110	220Ω, 5%, 1/4W, Composition	G2	D5	R-76-220
R111	2.4k, 5%, 1/4W, Composition	G2	E5	R-76-2.4k
R112	4.7k, 5%, 1/4W, Composition	H1	E5	R-76-4.7k
R113	220Ω, 5%, 1/4W, Composition	G1	E5	R-76-220
R114	Thick Film Resistor Network	E5	B5	TF-140
R115	4.7k, 5%, 1/4W, Composition	F3	C5	R-76-4.7k
R118	100k, ± 10%, 1/2W, Composition	D2	E5	R-1-100k
R119	100k, ± 10%, 1/2W, Composition	D2	E5	R-1-100k
R121	100Ω, ± 10%, 1/2W, Composition	G5	E3	R-1-100
R122	100Ω, ± 10%, 1/2W, Composition	G4	E3	R-1-100
R125	4.7k, 5%, 1/4W, Composition	E2	D4	R-76-4.7k
R126	10k, 5%, 1/4W, Composition	F1	D5	R-76-10k
R127	4.7k, 5%, 1/4W, Composition	G4	E3	R-76-4.7k
R128	47kΩ, 10%, 0.25W, Composition	G5	E3	R-76-47k
S101	Switch, Power	A3	B2	SW-466
S102	Switch, Line	A3	G2	SW-397
T101	Transformer	B2	F2	TR-186
T101	Transformer (special for 90V-110V 180V-220V operation)	B2	F2	TR-187
U101	1024 X 4-bit Static Ram, 2114	D5	C2	LSI-15
U102	Oscillator/Clock, 4060	E4	D2	IC-197
U103	1024 X 4-bit Static Ram, 2114	C5	C2	LSI-15
U104	Up/Down Counter, 74LS193	F4	D2	IC-214
U105	1024 X 4-bit Static Ram, 2114	D6	C2	LSI-15
U106	Quad 2-In. Nand Gate, 74 LS00	SEV	D2	IC-163
U107	1024 X 4-bit Static Ram, 2114	SEV	C3	LSI-15
U108	Quad 2-In. NOR Gate, 74LS02	SEV	D3	IC-179
U109	Erasable Prom, 2732	B5	C3	220-800-B5
U110	Decoder/Demultiplexer, 74LS138	F3	D3	IC-182
U111	Erasable Prom, 2732	A5	C4	220-801-B5
U112	8-bit Shift Register, 14094	E1	D4	IC-251
U113	Quad Exclusive OR Gate, 7486	Sev	D4	IC-116
U114	Interface Adapter, SY6522	C2	C4	LSI-28
U115	Microprocessor, MC6808	B2	C5	LSI-27
U116	Bus Driver, 14503	E6	C5	IC-250
U117	Hex Inverter, 16-pin DIP, 4049	SEV	E5	IC-106
VR101	5 Volt Regulator, LM309K	D4	F4	IC-34
VR102	± 15V, 3-term, 7915	D3	F5	IC-174
VR103	3-term Positive Voltage Regulator, 7815	D3	F5	IC-96
W101	Jumper	B6	D2	J-3
W102	Jumper	B6	D2	J-3
Y101	4.0 MHZ Crystal	-	C5	CR-10

Table 6-3. Display Board D220-113, Parts List

Circuit Desig.	Description	Location		Keithley Part No.
		Sch.	Pcb.	
C201	10 μ F, 25V, Aluminum Electrolytic	D5	C3	C-314-10
DS201	± 1 , Digital Display	B1	B2	DD-31
DS202	"8" Digital Display	C1	B2	DD-30
DS203	"8" Digital Display	C1	C2	DD-30
DS204	"8" Digital Display	D1	C2	DD-30
DS205	"8" Digital Display	D1	D2	DD-30
DS206	± 1 , Digital Display	E1	D2	DD-31
DS207	"8" Digital Display	E1	E2	DD-30
DS208	Pilot Light	G3	E1	PL-67
DS209	Pilot Light	G2	E2	PL-67
DS210	Pilot Light	E2	E2	PL-67
DS211	Pilot Light	G3	B2	PL-67
DS212	Pilot Light	H3	B2	PL-67
DS213	Pilot Light	H3	C2	PL-67
DS214	Pilot Light	F3	D2	PL-67
DS215	Pilot Light	F3	D2	PL-67
DS216	Pilot Light	G3	E2	PL-67
DS217	Pilot Light	G3	E2	PL-67
DS218	Pilot Light	H3	C3	PL-67
DS219	Pilot Light	F3	D3	PL-67
P1002	Cable Assembly	A6	E4	CA-15-1
Q201	PNP Silicon Transistor, 2N4355	F5	E1	TG-90
Q202	PNP Silicon Transistor, 2N4355	H5	E1	TG-90
Q203	PNP Silicon Transistor, 2N4355	H5	E1	TG-90
Q204	PNP Silicon Transistor, 2N4355	H5	E1	TG-90
Q205	PNP Silicon Transistor, 2N4355	F5	E2	TG-90
Q206	PNP Silicon Transistor, 2N4355	G5	E2	TG-90
Q207	PNP Silicon Transistor, 2N4355	G5	E2	TG-90
Q208	PNP Silicon Transistor, 2N4355	G5	E2	TG-90
R201	Thick Film	SEV	D2	TF-165-1
R202	Thick Film	SEV	F1	TF-77
S201	Pushbutton Switch	A3	B2	SW-435
S202	Pushbutton Switch	B3	B2	SW-435
S203	Pushbutton Switch	B3	C2	SW-435
S204	Pushbutton Switch	A3	D2	SW-435
S205	Pushbutton Switch	A3	D2	SW-435
S206	Pushbutton Switch	B4	E2	SW-435
S207	Pushbutton Switch	B4	E2	SW-435
S208	Pushbutton Switch	A4	B3	SW-435
S209	Pushbutton Switch	A4	C3	SW-435
S210	Pushbutton Switch	B4	D3	SW-435
S211	Pushbutton Switch	B4	D3	SW-435
S212	Pushbutton Switch	A4	E3	SW-435
S213	Pushbutton Switch	A4	E3	SW-435
S214	Pushbutton Switch	B5	F2	SW-435
S215	Pushbutton Switch	B5	F2	SW-435
S216	Pushbutton Switch	A5	G2	SW-435
S217	Pushbutton Switch	A5	F2	SW-435
S218	Pushbutton Switch	A3	F2	SW-435
S219	Pushbutton Switch	B3	G2	SW-435
S220	Pushbutton Switch	B3	F3	SW-435
S221	Pushbutton Switch	A2	F3	SW-435
S222	Pushbutton Switch	A2	G3	SW-435
S223	Pushbutton Switch	B2	F3	SW-435
S224	Pushbutton Switch	B2	F3	SW-435
S225	Pushbutton Switch	A2	G3	SW-435
U201	MOS to LED Segment Driver, 75492	SEV	B3	IC-169
U202	MOS to LED Segment Driver, 75492	SEV	C3	IC-169
U203	8-bit Shift Register, 74LS164	C5	D3	IC-127
U204	MOS to LED Segement Driver, 75492	SEV	E3	IC-169

Table 6-4. Analog Board D220-123, Parts List

Circuit Desig.	Description	Location		Keithley Part No.
		Sch.	Pcb.	
C301	.1 μ F, 16V, Ceramic Disc	F3	B2	C-238-.1
C302	.1 μ F, 16V, Ceramic Disc	E3	B2	C-238-.1
C303	.1 μ F, 16V, Ceramic Disc	C2	D1	C-238-.1
C304	.01 μ F, 500V, Ceramic Disc	B4	D1	C-22-.01
C305	.47 μ F, 50V, Ceramic Film	A4	D2	C-237-.47
C306	470pF, 500V, Ceramic Disc	C3	D2	C-22-470p
C307	.01 μ F, 500V, Ceramic Disc	F5	B2	C-22-.01
C308	.02 μ F, 500V, Ceramic Disc	F4	B2	C-22-.02
C309	.02 μ F, 500V, Ceramic Disc	E2	C2	C-22-.02
C310	470pF, 500V, Ceramic Disc	C2	C3	C-22-470p
C311	.001 μ F, 500V, Ceramic Disc	B1	B3	C-22-.001
C312	10 μ F, 25V, Aluminum Electrolytic	D1	B3	C-314-10
C313	220pF, 500V, Ceramic Disc	D2	B3	C-22-220p
C314	10pF, 500V, Polystrene	D3	B3	C-138-10p
C315	10 μ F, 25V, Aluminum Electrolytic	C5	D4	C-314-10
C316	10 μ F, 25V, Aluminum Electrolytic	C4	D4	C-314-10
C317	4.7 μ F, 350V, Aluminum Electrolytic	F3	F3	C-240-4.7
C318	.01 μ F, 500V, Ceramic Disc	F2	E4	C-22-.01
C319	.1 μ F, 16VDC, Ceramic Disc	E2	E4	C-238-.1
C320	.02 μ F, 500V, Ceramic Disc	E2	E4	C-22-.02
C321	.1 μ F, 16VDC, Ceramic Disc	E2	E5	C-238-.1
C322	.01 μ F, 500V, Ceramic Disc	F1	F5	C-22-.01
C323	4.7 μ F, 350V, Aluminum Electrolytic	F1	F5	C-240-4.7
C324	10 μ F, 25V, Aluminum Electrolytic	B6	D5	C-314-10
C325	10 μ F, 25V, Aluminum Electrolytic	B6	D5	C-314-10
C326	0.1 μ F, 250V, Metalized Polyester	B4	D4	C-178-0.1
C327	10 μ F, 25V, Aluminum Electrolytic	B6	D4	C-314-10
C328	.01 μ F, 500V, Ceramic Disc	C5	D4	C-22-.01
C329	.01 μ F, 500V, Ceramic Disc	C5	D5	C-22-.01
C330	1.5 μ F, 25V, Aluminum Electrolytic	G4	D5	C-314-15
CR301	Diode, Germanium, 1N3592	E2	C2	RF-39
CR302	Silicon Diode, 1N914	C3	D3	RF-28
CR303	Silicon Diode, 1N914	C3	D3	RF-28
CR304	Diode Dual, Low Leakage, 1D101	D2	B3	DN-3
CR305	Rectifier, 1N3595	D3	B4	RF-43
CR306	Rectifier, 1N3595	E3	B5	RF-43
CR307	Silicon Diode, 1N914	A4	D3	RF-28
CR308	Silicon Diode, 1N914	B4	D4	RF-28
CR316	Silicon Diode, 1N914	F2	F4	RF-28
CR317	Silicon Diode, 1N914	F1	F5	RF-28
J1003	Connector, Male	B2	D5	CS-389-3
K301	Relay	SEV	B4	RL-70
K302	Relay	SEV	B4	RL-70
K303	Relay	SEV	B4	RL-70
K304	Relay	SEV	B5	RL-70
K305	Relay	SEV	B5	RL-70
K306	Relay	SEV	B5	RL-70
K307	Relay	SEV	B5	RL-50
Q301	N-Channel FET, 2N4393	E1	B3	TG-130
Q302	N-Channel FET, PF5301	D1	B3	TG-139
Q303	N-Channel FET, 2N4392	E4	C3	TG-128
Q304	N-Channel FET, 2N4392	F4	C3	TG-128
Q305	N-Channel FET, 2N4392	F4	C3	TG-128
Q306	N-Channel FET, 2N4392	G4	D3	TG-128
Q307	N-Channel FET, 2N4392	F4	C3	TG-128
Q308	N-Channel FET, 2N4392	F4	C3	TG-128
Q309	N-Channel FET, 2N4392	F4	C3	TG-128
Q310	N-Channel FET, 2N4392	G4	D3	TG-174

Table 6-4. Analog Board D220-123, Parts List (Cont.)

Circuit Desig.	Description	Location		Keithley Part No.
		Sch.	Pcb.	
Q311	NPN-Power Transistor, 2N5190	D5	D3	TG-108
Q312	PNP-Power Transistor, 2N5193	D5	D4	TG-107
Q313	PNP, Transistor, Silicon, 2N3906	E3	E4	TG-84
Q314	PNP, Transistor, Silicon, 2N3906	F2	F4	TG-84
Q315	NPN, Silicon, 2N3904	Es	E5	TG-47
Q316	Diode Current Unit, J505	E1	F5	TG-140
Q317	NPN, Silicon, 2N3904	F2	E5	TG-47
Q319	NPN, Transistor, MJ15011	F3	E4	TG-154
Q318	PNP, Transistor, MJ15012	F1	E5	TG-155
R301	301k, 1%, 1/8W, Metal Film	F5	B2	R-88-301k
R302	1M, 1%, 0.12W, Metal Film	G5	B2	R-88-1M
R303	100k Pot	G5	B1	RP-97-100k
R304	100k Pot	G5	B2	RP-97-100k
R305	49.9k, 1%, 1/8W, Metal Film	G5	B2	R-88-49.9k
R306	10k, 1%, 1/8W, Metal Film	G5	B2	R-88-10k
R307	6.04k, 1%, 1/8W, Metal Film	F5	B2	R-88-6.04k
R308	47k, 5%, .11W, Thick Film Resistor	E5	B2	TF-103-4
R309	47k, 5%, .11W, Thick Film Resistor	D5	C2	TF-103-3
R310	47k, 5%, .11W, Thick Film Resistor	D4	C2	TF-103-3
R311	47k, 5%, .11W, Thick Film Resistor	D1	C2	TF-103-4
R312	10k, 5%, 1/4W, Composition	B3	D1	R-76-10k
R313	1k, 5%, 1/4W, Composition	C4	D2	R-76-1k
R314	20k, 5%, 1/4W, Composition	C4	D2	R-76-20k
R315	20k, 5%, 1/4W, Composition	G3	D2	R-76-2.2k
R316	301k, 1%, 1/8W, Metal Film	F5	B2	R-88-301k
R317	22.2k, .1%, 1/10W, Metal Film	F4	B2	R-263-22.2k
R318	200Ω Pot	F4	B3	RP-97-200
R319	2k Pot	E2	B3	RP-97-2k
R320	22.2K, 1%, 1/10W, Metal Film	F4	C2	R-263-22.2k
R321	20k, 1%, 1/8W, Metal Film	F2	C2	R-88-20k
R322	20k, 1%, 1/8W, Metal Film	E1	C3	R-88-20k
R323	11k, 1%, 1/8W, Metal Film	G4	C2	R-88-11k
R324	10k, 5%, 1/4W, Composition	B2	C3	R-76-10k
R325	20k, 5%, 1/4W, Composition	C3	C3	R-76-20k
R326	1k, 5%, 1/4W, Composition	C3	C3	R-76-1k
R327	10k, 5%, 1/4W, Composition	B2	C2	R-76-10k
R328	1k, 1%, 1/8W, Metal Film	E2	C2	R-88-1k
R329	4.99k, 1%, 1/8W, Metal Film	B2	D2	R-88-4.99k
R330	1.2M, 5%, 1/4W, Composition	C2	D2	R-76-1.2M
R331	4.99k, 1%, 0.12W, Metal Film	B3	D2	R-88-4.99k
R332	1.2M, 5%, 1/4W, Composition	B3	D2	R-76-1.2M
R333	10k, 5%, 1/4W, Composition	C3	D3	R-76-10k
R334	100Ω, 5%, 1/4W, Composition	C5	D3	R-76-100
R335	470Ω, 5%, 1/4W, Composition	D5	D3	R-76-470
R336	4.7k, 5%, 1/4W, Composition	F5	C3	R-76-4.7k
R337	4.7k, 5%, 1/4W, Composition	E5	C3	R-76-4.7k
R338	5.6k, 5%, 1/4W, Composition	C1	B3	R-76-5.6k
R339	39Ω, 5%, 1/4W, Composition	C1	B3	R-76-39
R340	39Ω, 5%, 1/4W, Composition	C2	B3	R-76-39
R341	5.6k, 5%, 1/4W, Composition	C2	B3	R-76-5.6k
R342	1k, 5%, 1/4W, Composition	E2	B3	R-76-1k
R343	10k Pot	D2	B3	RP-97-10k
R344	10k, 5%, 1/4W, Composition	D2	B3	R-76-10k
R345	470k, 5%, 1/4W, Composition	E2	B3	R-76-470k
R346	47k, 5%, 1/4W, Composition	B1	B3	R-76-47k
R347	15k, 5%, 1/4W, Composition	B1	B3	R-76-15k
R348	2.4k, 5%, 1/4W, Composition	D1	B3	R-76-2.4k
R349	10k, 1%, 0.12W, Metal Film	D2	B3	R-88-10k
R350	100k, 5%, .11W, Thick Film Resistor	SEV	C3	TF-103-2
R351	10k, 5%, 1/4W, Composition	A4	D3	R-76-10k

Table 6-4. Analog Board D220-123, Parts List (Cont.)

Circuit Desig.	Description	Location		Keithley Part No.
		Sch.	Pcb.	
R352	10k, 5%, 1/4W, Composition	A4	D3	R-76-10k
R353	2.2M, 10%, 0.25W, Composition	B4	D4	R-76-2.2M
R354	100k Pot	E4	C4	RP-97-100k
R355	10k Pot	E4	C4	RP-97-10k
R356	10k Pot	E4	C4	RP-97-10k
R357	10k Pot	D4	C4	RP-97-10k
R358	4.75G, 2%, 1.5W, Glass Epoxy coated, Metal Oxide	D3	C4	R-289-4.75G
R359	100k, 1%, 1/4W, Composition	D3	C4	R-88-100k
R360	1k, 1%, 1/4W, Composition	D3	C4	R-76-1k
R361	530M, 2%, 1.5W, Glass Epoxy coated, Metal Oxide	E3	C4	R-289-530M
R362	48M, 2%, 1.5W, Glass Epoxy coated, Metal Oxide	E3	C4	R-289-48M
R363	2.2k, 5%, 1/4W, Composition	E3	E4	R-76-2.2k
R364	24k, 5%, 1/4W, Composition	E3	E4	R-76-24k
R365	100k, 1%, 1/2W, Metal Film	C3	F4	R-94-100k
R366	100k, 1%, 1/2W, Metal Film	B3	F4	R-94-100k
R367	10Ω, 1%, 0.12W, Metal Film	G2	F4	R-88-10
R368	13Ω, 1%, 0.12W, Metal Film	G2	F4	R-88-13
R369	22Ω, 10%, 1/2W, Composition	F1	F4	R-1-22
R370	22Ω, 10%, 1/2W, Composition	F2	F5	R-1-22
R371	2.2k, 5%, 1/4W, Composition	E1	E5	R-76-2.2k
R372	13Ω, 1%, 1/8W, Metal Film	G1	F5	R-88-13
R373	10Ω, 1%, 0.12W, Metal Film	G1	F5	R-88-10
R374	4.7k, 5%, 1/4W, Composition	E2	E5	R-76-4.7k
R375	54.1k, .1%, 1.10W, Metal Film	F3	D5	R-263-54.1k
R376	4.93k, .1%, 1/10W, Metal Film	F4	D5	R-263-4.93k
R377	20k, 1%, 0.12W, Metal Film	G3	C5	R-88-20k
R378	4.85M, .5%, 1/2W, Metal Film	E3	C4	R-265-4.85M
R379	485k, .1%, 1/4W, Metal Film	F3	C4	R-264-485k
R380	499Ω, .1%, 1/25W, Metal Film	G4	C5	R-286-499
R381	100Ω, 0.1%, 3W Fixed	G4	C5	R-308-100
R382	49.9k, 1%, 0.12W, Metal Film	G5	C5	R-88-49.9k
R383	3.57k, 1%, 0.12W, Metal Film	G3	D5	R-88-3.57k
R384	5k, Pot			RP-95-5k
R385	500 Pot	F4	C5	RP-97-500
R386	10k Pot	G4	C5	RP-97-10k
R387	1k Pot	G4	C5	RP-97-1k
R388	100k, 5%, 1/4W, Composition	D4	D5	R-76-100k
R389	10k, 5%, 1/4W, Composition	B3	D5	R-76-10k
R390	10k, 5%, 1/4W, Composition	B4	D5	R-76-10k
R391	10k, 5%, 1/4W, Composition	B3	D5	R-76-10k
R392	10k Pot	F4	B3	RP-97-10k
R393	3.9k, 5%, 1/4W, Film or Composition			R-76-3.9k
U301	8-bit Shift Register, 14094	C4	B1	IC-251
U302	8-bit Shift Register, 14094	C3	C1	IC-251
U303	8-bit Shift Register, 14093	C2	C1	IC-251
U304	Quad 2-Input AND, 4081	SEV	D2	IC-138
U305	Quad 2-Input NAND, 4011	SEV	D2	IC-102
U306	Quad Monolithic SPST CMOS Analog Switch	SEV	C2	IC-320
U307	Wide Bandwidth Dual JFET, LF353N	E5	C2	IC-246
U308	CMOS 8-bit Multiplying D/A Converter, AD7523	E2	C2	IC-321
U309	Wide Bandwidth Dual JFET, LF353N	E2	C2	IC-246
U310	Operational Amplifier, AD3247	E1	C2	IC-77
U311	Integrated Circuit D/A Converter, DAC80-CBI-V	E4	B2	IC-323
U312	Operational Amplifier, AD3247	F4	B3	IC-77
U313	Quad Comparator, LM339	SEV	B3	IC-219
U314	Quad 2 input NAND, 4011	SEV	C3	IC-102
U315	Operational Amplifier, AD3247	B4	C3	IC-248
U316	Hex Inverter, 16-Pin, 4049	SEV	D3	IC-106
U317	Quad Comparator, LM339	SEV	C3	IC-219
U318	Decoder/Demultiplexer, 14555	SEV	C3	IC-312
U319	Op Amp, AD515K	D2	B3	IC-241
U320	High/Voltage, High/Current Transistor Array, VLN2003A	C5	C3	IC-206
VR301	+5V Regulator, 7805	B6	D5	IC-93

Table 6-5. IEEE Interface Board, Parts List

Circuit Desig.	Description	Location		Keithley Part No.
		Sch.	Pcb.	
C401	.01 μ F, 500V, Ceramic Disc	H3	E2	C-22-.01
C402	.01 μ F, 500V, Ceramic Disc	F1	C3	C-22-.01
C403	10 μ F, 25V, Aluminum Electrolytic	F1	C3	C-314-10
CR401	Rectifier Bridge (1.5A), W04M	B4	E1	RF-46
CR402	Rectifier Bridge (1.5A), W04M	A4	E1	RF-46
J1017	IEEE Bus Connector	H2	F2	CS-443
P1004	Cable Assembly	C1	C2	CA-10-2
Q401	NPN, Silicon Transistor, 2N3904	C5	C2	TG-47
R401	4.7k, 5%, 1/4W, Composition	D2	C1	R-76-4.7k
R402	4.7k, 5%, 1/4W, Composition	C5	C1	R-76-4.7k
R403	Thick Film Resistor	C4	D1	TF-102-2
R404	Thick Film Resistor	B4	D1	TF-103-2
R405	100 Ω , 10%, 1/2W, Composition	A5	E1	R-1-100
R406	100 Ω , 10%, 1/2W, Composition	B5	E1	R-1-100
R407	100 Ω , 10%, 1/2W, Composition	A5	E1	R-1-100
R408	100 Ω , 10%, 1/2W, Composition	B5	E1	R-1-100
R409	Thick Film, Resistor Network	F5	E2	TF-100
R410	Thick Film Resistor	G2	E2	TF-103-1
R411	33 Ω , 10%, 1W, Composition	G1	E2	R-2-33
S401	Primary Address Switch, Bank of 5 switches	G5	E2	SW-450-5
U401	8-bit Shift Register, 4094	C2	D2	IC-251
U402	Shift Register, 4021	C3	D2	IC-130
U403	Hex Inverter, 74LS04	SEV	D2	IC-186
U404	GPiB Adapter, 59914	F3	D2	LSI-49
U405	Interface Bus Transceiver, SN75160	G2	E2	IC-298
U406	Decoder/Demultiplexers, 74LS138	E4	D3	IC-182
U407	Hex 3-state Buffer, 74LS367	F4	D3	IC-161
U408	Interface Bus Transceiver, 75161	G3	E3	IC-299
U409	Quad 2 input NAND gate, 74LS00	G3	E3	IC-163

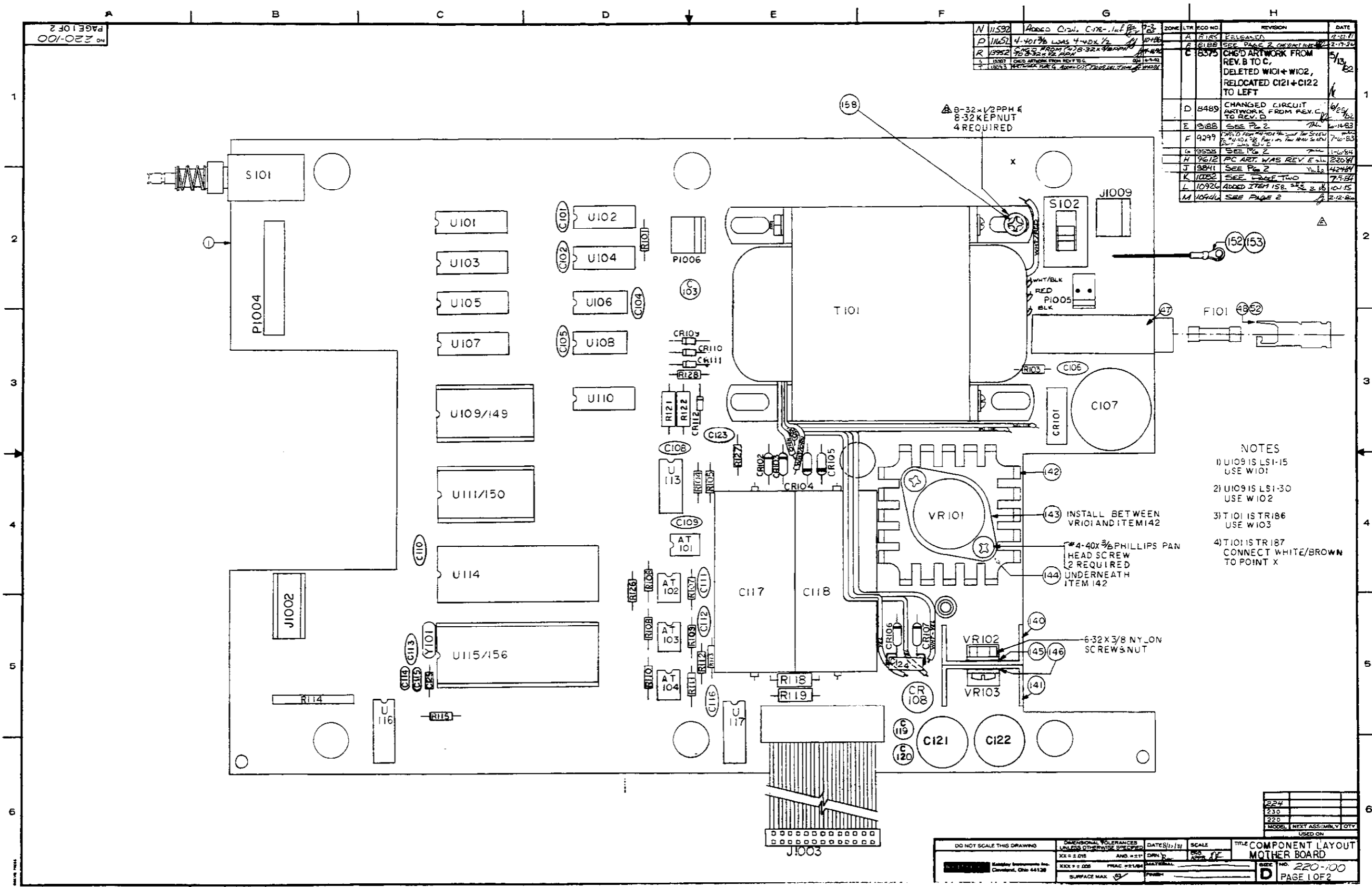


Figure 6-4. Mother Board, Component Location Drawing, Dwg. No. 220-100 (sheet 1 of 2)

1
2
3
4
5
6

ITEM	PART NO.	SCHEM DESIG.	ZONE	ITEM	PART NO.	SCHEM DESIG.	ZONE	ITEM	PART NO.	SCHEM DESIG.	ZONE	ITEM	PART NO.	SCHEM DESIG.	ZONE
1	220-101	STAKING	A 2	41	RF-38	CR106	F 5	81				121	IC-34	VR101	F 4
2				42	RF-38	CR107	F 5	82				122	IC-174	VR102	F 5
3				43	RF-46	CR108	F 5	83	R-HOOK	R118	E 5	123	IC-96	VR103	F 5
4	C-238-1	C101	D 2	44	RF-38	CR109	E 3	84	R-HOOK	R119	E 5	124			
5	C-238-1	C102	D 2	45	RF-38	CR110	E 3	85				125			
6	C-314-10	C103	D 2	46	RF-38	CR111	E 3	86	R-1-100	R121	E 3	126			
7	C-220068	C104	D 2	47	FH-21		G 3	87	R-1-100	R122	E 3	127			
8	C-238-J	C105	D 3	48	FH-25		H 3	88				128			
9	C-22-D1	C106	G 3	49	FU-19	F101	H 3	89				129	CR-10	Y101	C 5
10	C-342-10000	C107	G 3	50	FU-18	F101	H 3	90	SW-466	S101	B 2	130			
11	C-238-J	C108	D 3	51				91	SW-397	S102	G 2	131	RF-38	CR112	E 3
12	C-238-J	C109	D 4	52	FH-26		H 3	92				132			
13	C-238-J	C110	C 4	53	FU-52	F101	H 3	93				133			
14	C-238-J	C111	E 4	54	FU-53	F101	H 3	94	TR-186	T101	F 2	134			
15	C-238-J	C112	E 5	55				95	TR-187	T101	F 2	135	R-76-10K	R126	D 5
16	C-238-J	C113	C 5	56	CS-772-3	J1009	G 2	96				136	P-76-47K	R127	E 3
17	C-64-22 PF	C114	C 5	57	CS-288-2	P1005	G 2	97	LSI-15	U101	C 2	137	R-76-47K	R128	E 3
18	C-64-22 PF	C115	C 5	58				98	IC-197	U102	D 2	138			
19	C-238-J	C116	E 5	59	CS-389-3	P1004	B 3	99	LSI-15	U103	C 2	139			
20	C-337-330	C117	E 5	60	CA-10-3	J1003	F 5	100	IC-214	U104	D 2	140	HS-15		F 5
21	C-337-330	C118	E 5	61	CS-288-3	P1006	D 2	101	LSI-15	U105	C 2	141	HS-15		F 5
22	C-314-10	C119	F 5	62				102	IC-163	U106	D 2	142	HS-22		F 4
23	C-314-10	C120	F 6	63				103	LSI-15	U107	C 3	143	MK-16		F 4
24	C-309-1000	C121	F 6	64				104	IC-173	U108	D 3	144	MK-20		F 4
25	C-309-1000	C122	F 6	65	R-76-18K	R101	D 2	105	SEE TABLE	U109	C 3	145	MK-18		F 5
26	C-22-330 PF	C123	E 3	66				106	IC-182	U110	D 3	146	MK-18		F 5
27	C-178-144	C124	F 5	67	R-76-220K	R103	F 3	107	SEE TABLE	U111	C 4	147			
28	C-366-1	C125	C 5	68	R-76-47K	R104	E 4	108				148	SO-65	J1002	B 5
29				69	R-76-390	R105	E 4	109	IC-116	U113	D 4	149	SO-68		C 3
30				70	R-76-220	R106	D 4	110	LSI-28	U114	C 4	150	SO-68		C 4
31				71	R-76-24K	R107	E 4	111	LSI-27	U115	C 5	151			
32				72	R-76-220	R108	D 5	112	IC-250	U116	C 5	152	SC-73-5		H 2
33				73	R-76-24K	R109	E 5	113	IC-106	U117	E 5	153	LU-88		H 2
34				74	R-76-220	R110	D 5	114				154			
35	RF-64	CR101	G 3	75	R-76-24K	R111	E 5	115				155			
36	RF-38	CR102	E 4	76	R-76-47K	R112	E 5	116	IC-292	AT101	D 4	156	SO-64-40		C 5
37	RF-38	CR103	E 4	77	R-76-220	R113	E 5	117	IC-292	AT102	D 4	157			
38	RF-38	CR104	E 4	78	TF-140	R114	B 5	118	IC-292	AT103	D 5	158	WA-41-2	4 REQ'D	E 2
39	RF-38	CR105	E 4	79	R-76-47K	R115	C 5	119	IC-292	AT104	D 5	159			
40				80				120				160			

***NOTES:**
 1) FOR 100V JAPANESE VERSION
 SUBSTITUTE ITEM 95 (TR-187)
 FOR ITEM 94 (TR-186).
 2) FOR EUROPEAN VERSION
 SUBSTITUTE FU-50 AND FU-51
 FOR FU-4 AND FU-17, ALSO
 SUBSTITUTE FH-26 FOR
 FH-25.

SOFTWARE SELECTION TABLE

ITEM	SCHEMATIC DESIGNATION	MODEL 220 USAGE	MODEL 230 USAGE	MODEL 224 USAGE
105	U109	22D-B00	23D-B00	224-B00
107	U111	22D-B01	23D-B01	224-B01

SELECT APPROPRIATE SOFTWARE PER MODEL

ZONE	LTR	NO	REVISION	DATE
A	B165		RELEASED	12-27-80
B	8188			2-17-82
C	8375		ITEM 10 WAS C-34-11000, DELETED ITEM 125 J3, DELETED ITEM 126 J3	11-13-82
D	8489		CHG'D CIRCUIT NET REV C TO D	6-25-82
E	9199		ITEM 106 WAS LSI-25 ITEM 107 WAS LSI-20	7-14-83
F	9299		MOVED SOFTWARE TABLE	7-26-83
G	9558		DELETED ITEMS 151-155	1-6-88
H	9612		SEE PAGE 1	7-20-81
J	9841		DELETED U112 R125 R102 ADDED 224 SOFTWARE	4-24-84
K	10002		ITEM 121 WAS IC-96	7-1-84
L	10926		ADDED ITEM 158	10-1-85
M	10946		ITEM 100 DELETED SW-466 ADDED SW-397	2-2-86
N	11532		ITEM 35 WAS RF-64 ADDED ITEM 27	9-2-86
P	11652		SEE PG. 1	10-1-86
R	13952		SEE PG. 1	4-16-90
S	13953		SEE PG. 1	4-16-90
T	18093		ITEM SW-466-334 U101 ADDED ITEM 28, 152-153	4-22-86

DO NOT SCALE THIS DRAWING

OPTIONAL TOLERANCES UNLESS OTHERWISE SPECIFIED

DATE: 8/31 SCALE: 1:1 TITLE: COMPONENT LAYOUT MOTHER BOARD

XX = 2.015 AND ± 0.115 DIM. 1/16

XXX = 0.005 PRAC ± 0.104 MATERIAL: SURFACE MAX FINISH

REVISIONS: 1 D PAGE 2 OF 2

Figure 6-4. Mother Board, Component Location Drawing, Dwg. No. 220-100 (sheet 2 of 2)

ZONE	LTR	RECO NO	REVISION	DATE
A	0287		RELEASED	1-2-82
B	0288		REVISION FROM REVISED PARTS	2-2-82
C	0301		SEE PAGE 2	11-20-82
D	0310		SEE PAGE 2	8-4-82
F	0307		Q310 RETURN FROM REV D TO F	9-18-82
F	0340		SEE PAGE 2	10-9-82
G	9020		Q310 RETURN FROM REV E TO REV F. Q310 LOCATION OF R333 FROM DA	2-27-83
H	9028		SEE PAGE 2	3-21-83
J	9371		SEE PAGE 2	7-14-83
K	9598		SEE PAGE 2	11-19-83
L	9648		SEE PAGE 2	12-21-83
M	1037		SEE PAGE 2	11-3-83
N	10765		SEE PAGE 2	11-23-84
P	12115		SEE PAGE 2	11-28-87
R	12287		SEE PAGE 2	9-9-87
S	12300		SEE PAGE 2	10-14-87
T	12315		ADD C337	11-17-87

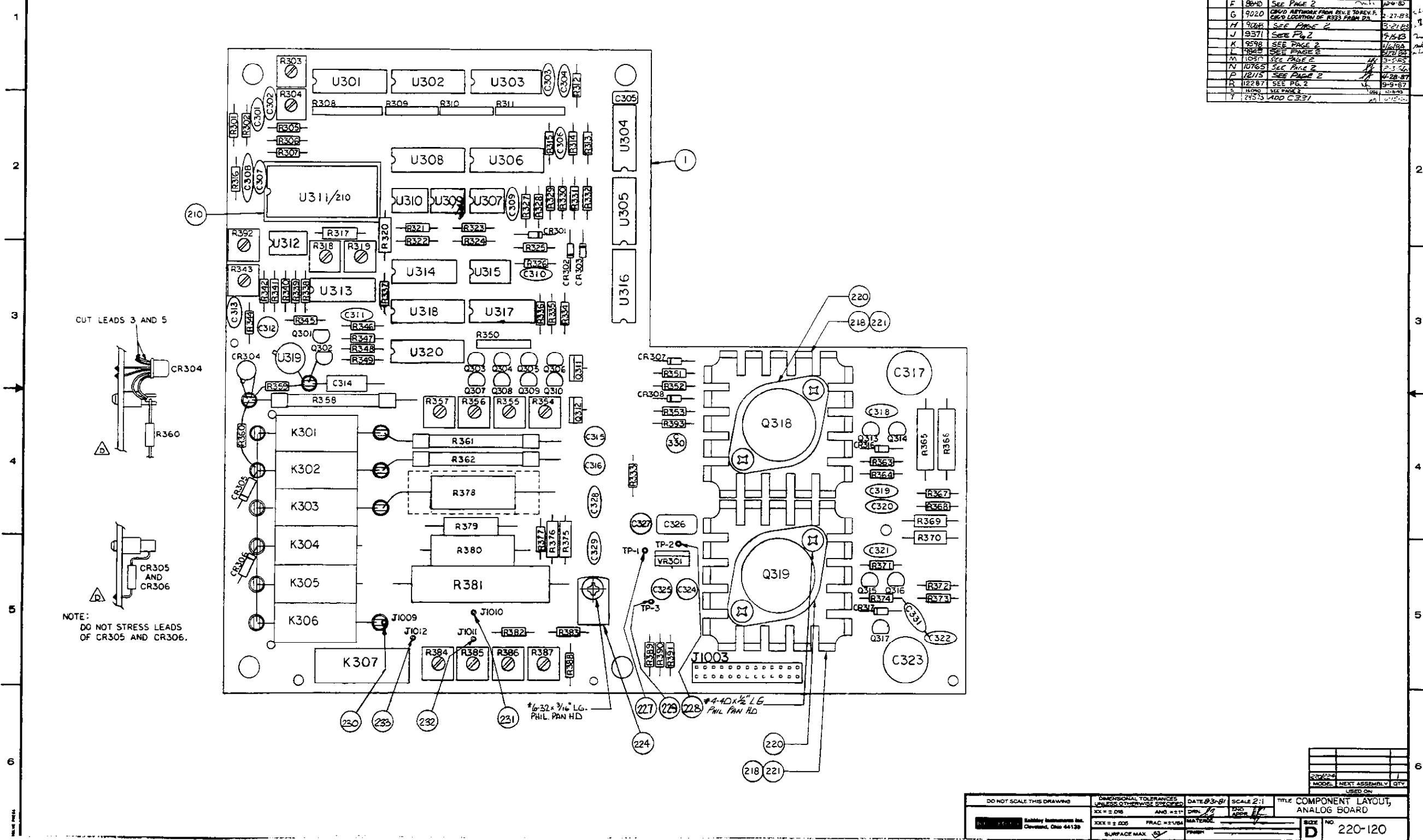
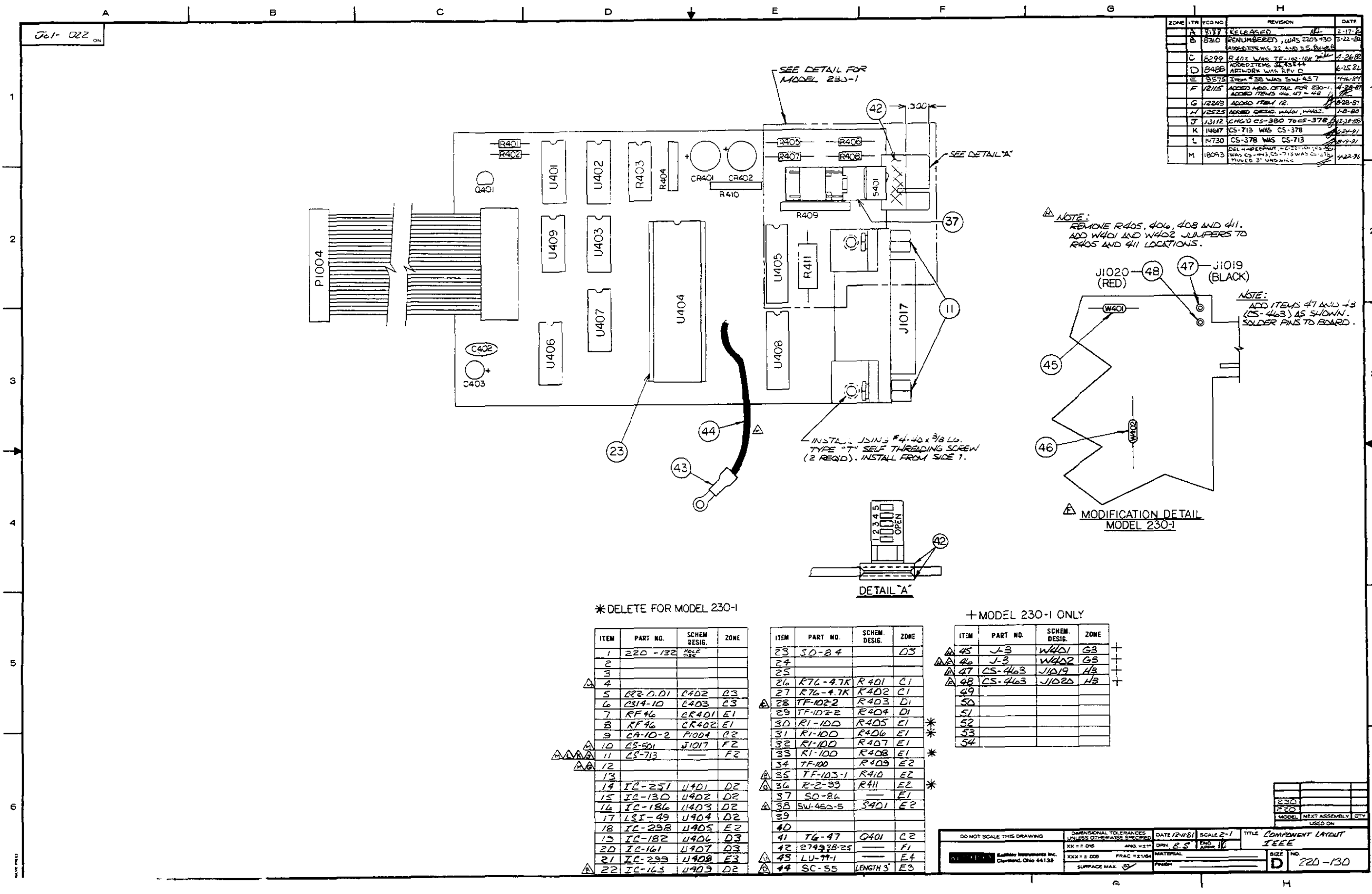
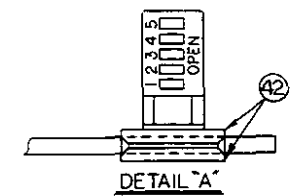
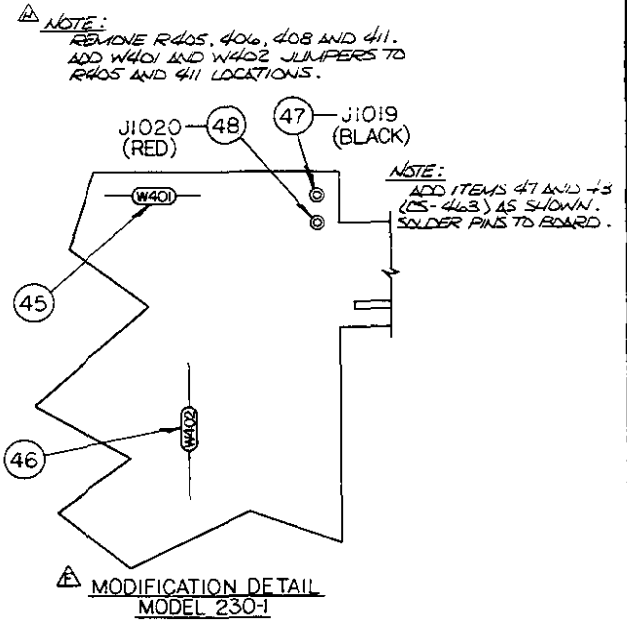


Figure 6-5. Analog Board, Component Location Drawing, Dwg. No. 220-120 (sheet 1 of 2)



ZONE	LTR	ECO NO	REVISION	DATE
A	1317		RELEASED	2-17-82
B	8310		RENUMBERED, WAS 220-130	3-22-82
C	5299		R402 WAS TF-102-2	4-26-82
D	8488		ADDED ITEMS 34, 43 & 44 ARTWORK WAS REV D	6-25-82
E	9275		ITEM # 38 WAS SW-45-7	7-16-82
F	12115		ADDED MOD DETAIL FOR 230-1 ADDED ITEMS 44, 47 & 48	4-28-83
G	12245		ADDED ITEM 12	10-20-83
H	12323		ADDED DESIG. W401, W402	1-8-84
J	13112		CHG'D CS-380 TO CS-378	11-21-85
K	14617		CS-713 WAS CS-378	8-24-87
L	14730		CS-378 WAS CS-373	8-24-87
M	18093		DEL. UNDERPART - CS-373 WAS 300 WAS CS-143 CS-713 WAS CS-373 MOVED 3" UNDERLINE	1-23-91



*DELETE FOR MODEL 230-1

ITEM	PART NO.	SCHEM DESIG.	ZONE
1	220-132		
2			
3			
4			
5	CR-0-01	C402	C3
6	CR14-10	C403	C3
7	RF-46	CR401	E1
8	RF-46	CR402	E1
9	CA-10-2	P1004	D2
10	CS-501	J1017	F2
11	CS-713		F2
12			
13			
14	IC-251	U401	D2
15	IC-130	U402	D2
16	IC-186	U403	D2
17	LSI-49	U404	D2
18	IC-258	U405	E2
19	IC-182	U406	D3
20	IC-161	U407	D3
21	IC-299	U408	E3
22	IC-163	U409	D2

ITEM	PART NO.	SCHEM DESIG.	ZONE
23	SO-84		D3
24			
25			
26	R76-9.7K	R401	C1
27	R76-9.7K	R402	C1
28	TF-102-2	R403	D1
29	TF-102-2	R404	D1
30	R1-100	R405	E1
31	R1-100	R406	E1
32	R1-100	R407	E1
33	R1-100	R408	E1
34	TF-100	R409	E2
35	TF-103-1	R410	E2
36	R-2-33	R411	E2
37	SO-86		E1
38	SW-450-5	S401	E2
39			
40			
41	T6-47	Q401	C2
42	274938-25		F1
43	LU-77-1		E4
44	SC-55	LENGTH 5	E3

+MODEL 230-1 ONLY

ITEM	PART NO.	SCHEM DESIG.	ZONE
45	J-3	W401	G3
46	J-3	W402	G3
47	CS-443	J1019	H3
48	CS-443	J1020	H3
49			
50			
51			
52			
53			
54			

DO NOT SCALE THIS DRAWING	DIMENSIONAL TOLERANCES UNLESS OTHERWISE SPECIFIED	DATE 12/1/81	SCALE 2-1	TITLE COMPONENT LAYOUT
XX = ±.015	AND ±.011	DRN E. S.	DESIGNER	FILE
XXX = ±.005	FRAC ±.0184	MATERIAL	SIZE	NO
SURFACE MAX	PUSH		D	220-130

Figure 6-6. IEEE Interface Board, Component Location Drawing, Dwg. No. 220-130

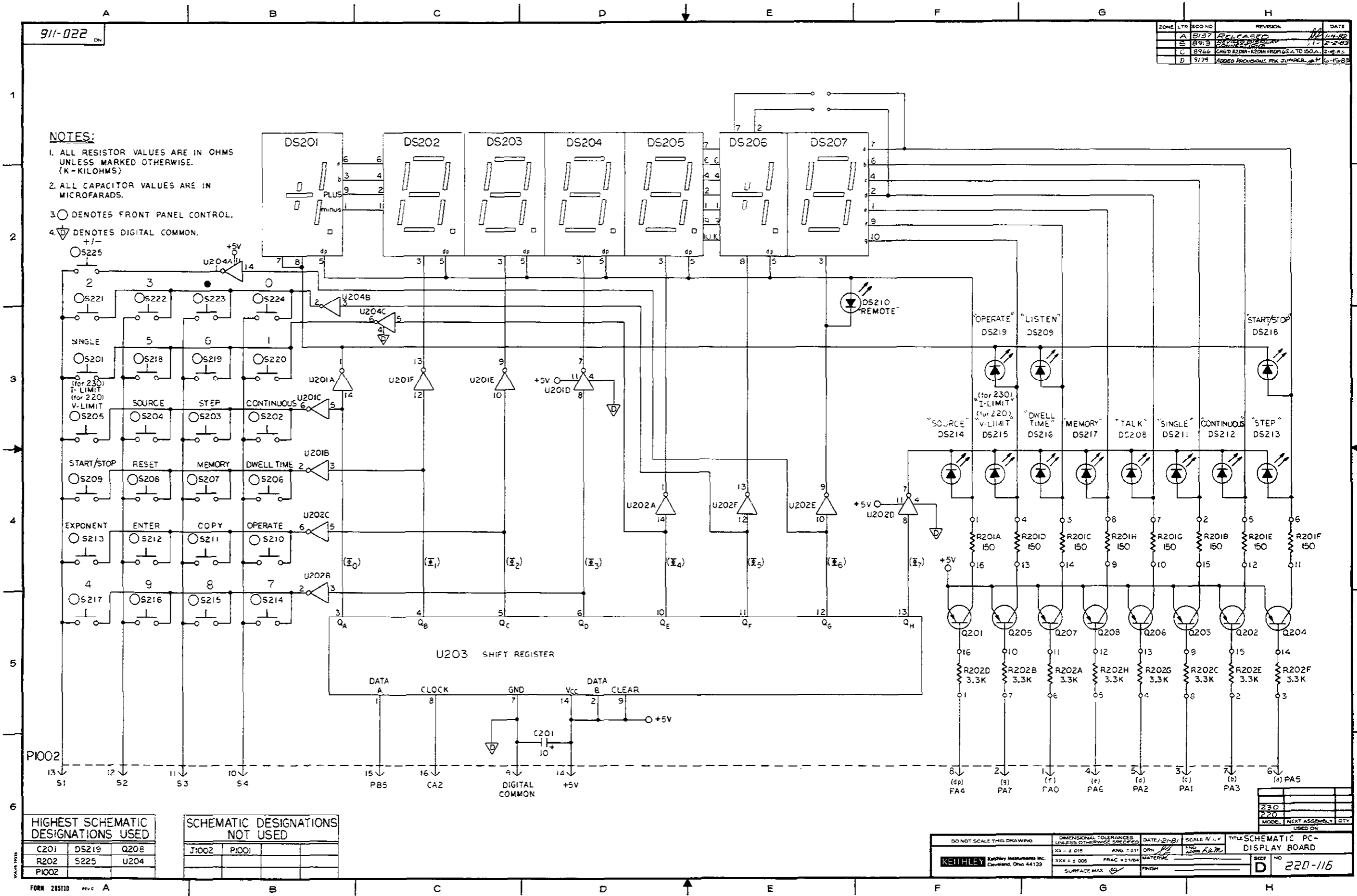
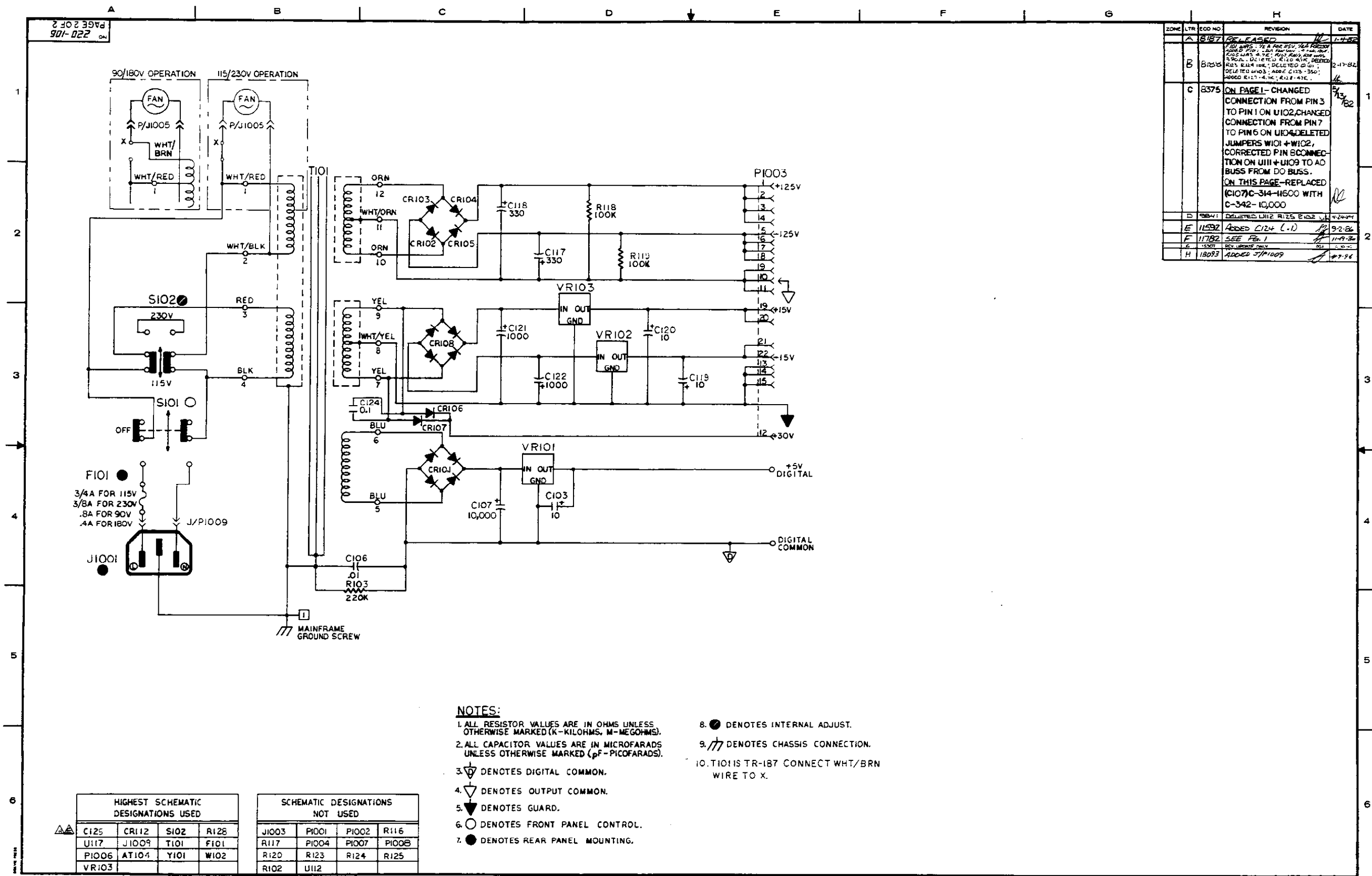


Figure 6-7. Display Board, Schematic Diagram, Dwg. No. 220-116



ZONE	LTR	ECO NO.	REVISION	DATE
A	B387		REVISED	1-17-82
B	B1258		REPLACED (C107)C-314-11500 WITH C-342-10,000	2-17-82
C	B375		ON PAGE 1- CHANGED CONNECTION FROM PIN 3 TO PIN 1 ON U102, CHANGED CONNECTION FROM PIN 7 TO PIN 6 ON U104, DELETED JUMPERS W101 + W102, CORRECTED PIN CONNECTION ON U111 + U109 TO AD BUS FROM DO BUS.	5/13/82
D	B384		DELETED U112, R125, R102	7-24-81
E	11592		ADDED C124 (-1)	9-2-82
F	11782		SEE Pg. 1	11-9-82
G	15501		REV UPGRADE ONLY	1-10-82
H	18093		ADDED J11009	9-7-84

Figure 6-8. Power Supply Circuitry, Schematic Diagram, Dwg. No. 220-106 (sheet 2 of 2)

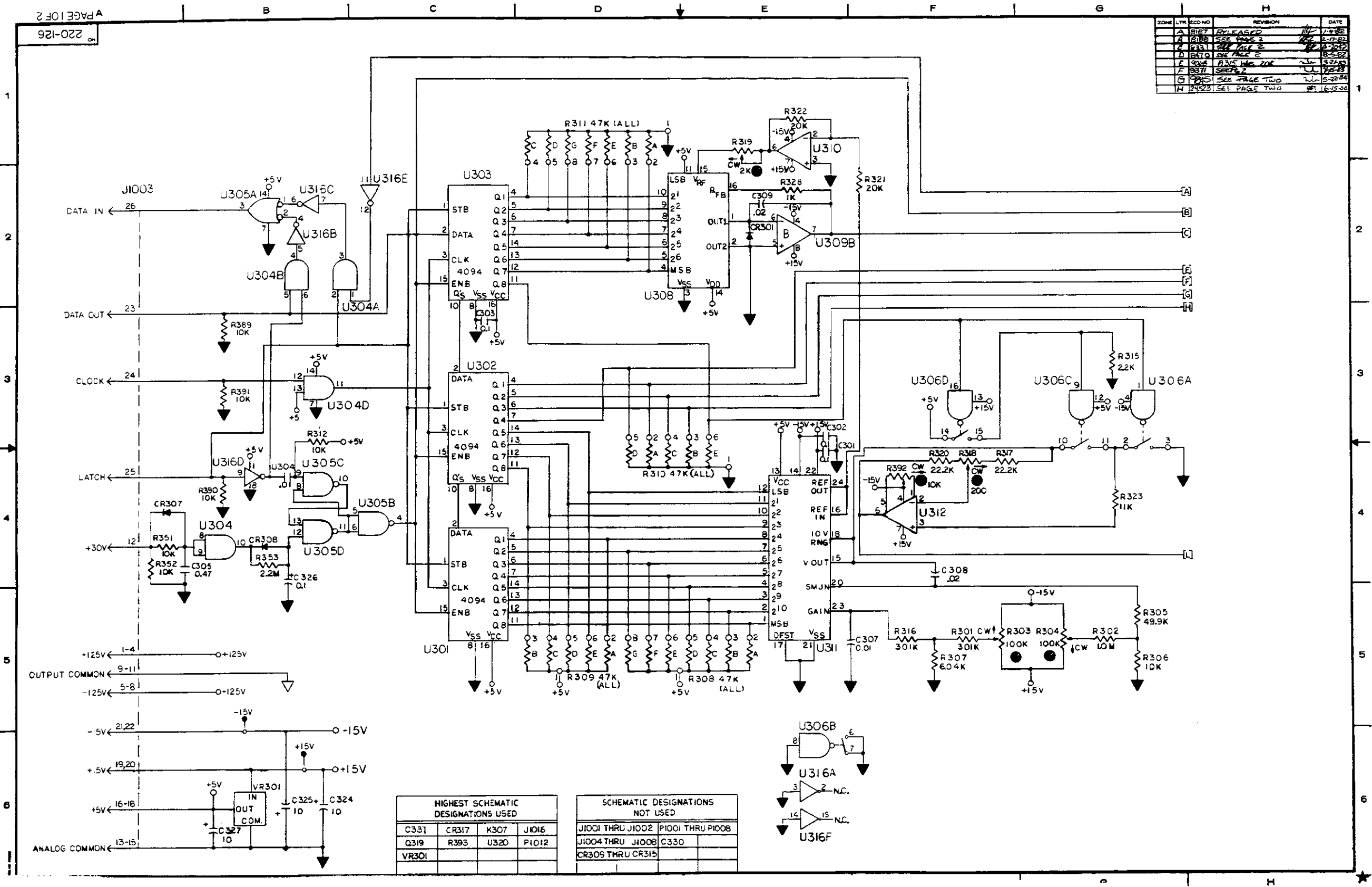
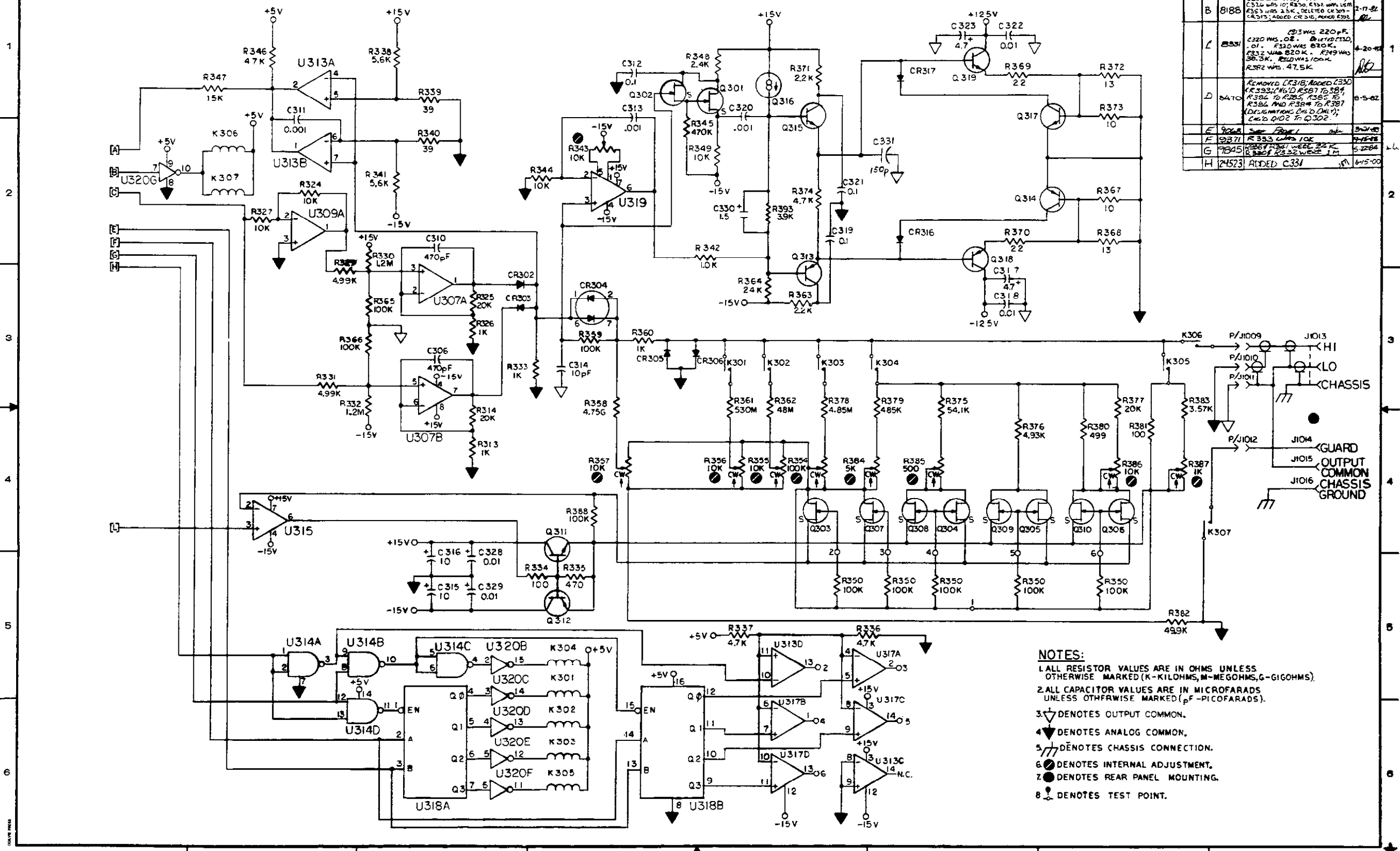


Figure 6-9. Analog Board, Schematic Diagram, Dwg. No. 220-126 (sheet 1 of 2)



ZONE	LTR	ECO NO	REVISION	DATE
A	8187		RELEASED	11-1-52
B	8188		C308 WAS 1000P; C309 WAS .01; C310 WAS 10; R350, R352 WAS 15K; R353 WAS 2.5K; DELETED CR308-CR315; ADDED CR316, R393, R394	2-17-52
L	8531		C320 WAS .02; R320 WAS 10K; R322 WAS 820K; R349 WAS 38.3K; R350 WAS 100K; R392 WAS 47.5K	4-20-52
D	8470		REMOVED CR318; ADDED C330; R333 WAS 10K; R334, R335, R336, R337, R338, R339, R340, R341, R342, R343, R344, R345, R346, R347, R348, R349, R350, R351, R352, R353, R354, R355, R356, R357, R358, R359, R360, R361, R362, R363, R364, R365, R366, R367, R368, R369, R370, R371, R372, R373, R374, R375, R376, R377, R378, R379, R380, R381, R382, R383, R384, R385, R386, R387, R388, R389, R390, R391, R392, R393, R394, R395, R396, R397, R398, R399, R400; C310, C311, C312, C313, C314, C315, C316, C317, C318, C319, C320, C321, C322, C323; Q301, Q302, Q303, Q304, Q305, Q306, Q307, Q308, Q309, Q310, Q311, Q312, Q313, Q314, Q315, Q316, Q317, Q318, Q319; CR302, CR303, CR304, CR305, CR306, CR316, CR317; K301, K302, K303, K304, K305, K306, K307; P/J1009, P/J1010, P/J1011, P/J1012; J1013, J1014, J1015, J1016	8-5-52
E	9268		REMOVED CR318; ADDED C330	3-20-52
F	10371		R333 WAS 10K	7-15-52
G	7845		REMOVED CR318; ADDED C330	5-22-54
H	24523		ADDED C331	6-15-50

- NOTES:**
1. ALL RESISTOR VALUES ARE IN OHMS UNLESS OTHERWISE MARKED (K-KILOHMS, M-MEGOHMS, G-GIGOHMS).
 2. ALL CAPACITOR VALUES ARE IN MICROFARADS UNLESS OTHERWISE MARKED (PF-PICOFARADS).
 3. ∇ DENOTES OUTPUT COMMON.
 4. ▽ DENOTES ANALOG COMMON.
 5. ⏏ DENOTES CHASSIS CONNECTION.
 6. ⦿ DENOTES INTERNAL ADJUSTMENT.
 7. ● DENOTES REAR PANEL MOUNTING.
 8. ⚡ DENOTES TEST POINT.

Figure 6-9. Analog Board, Schematic Diagram, Dwg. No. 220-126 (sheet 2 of 2)

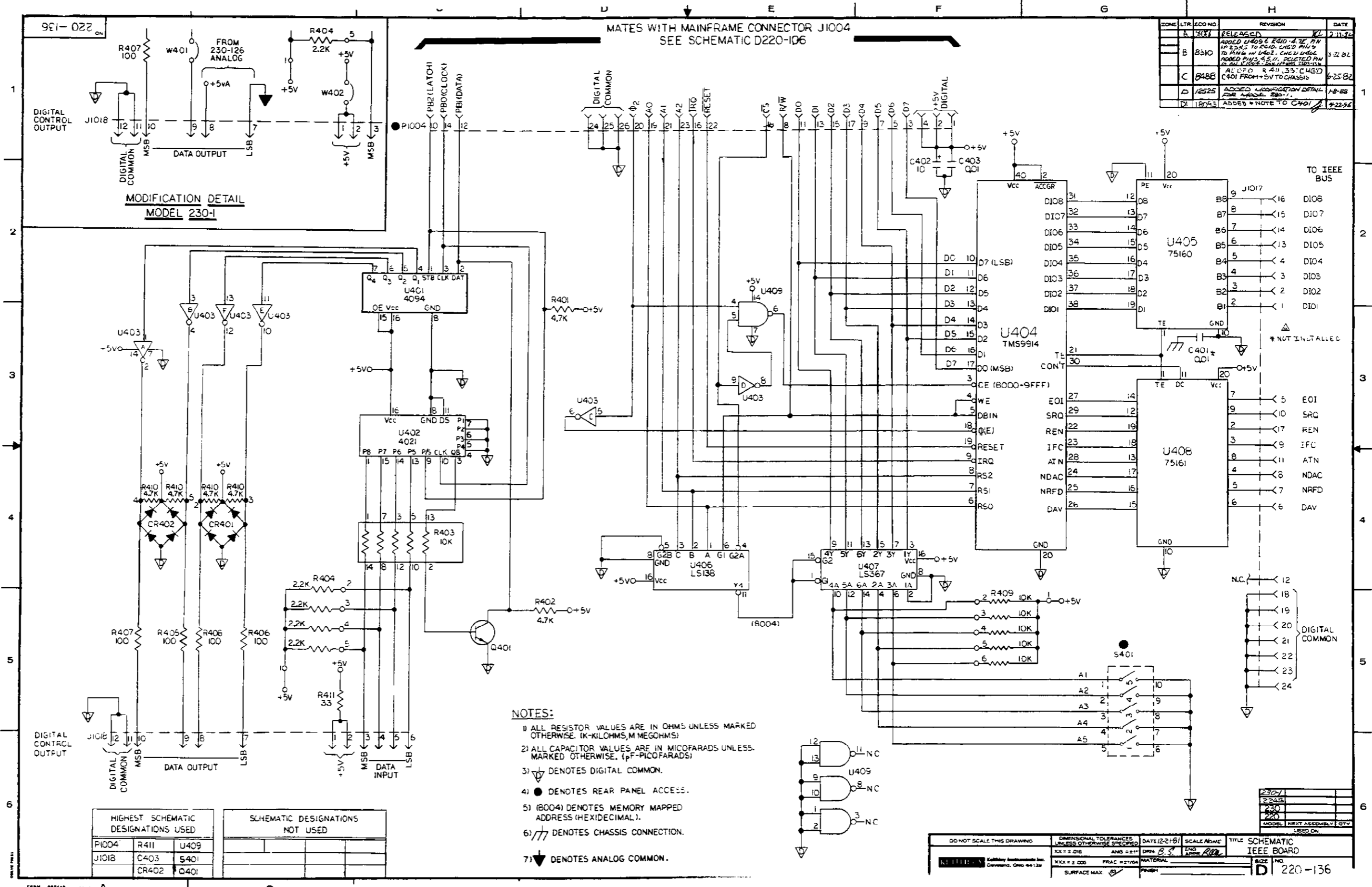


Figure 6-10. IEEE Interface Board, Schematic Diagram, Dwg. No. 220-136



Service Form

Model No. _____ Serial No. _____ Date _____

Name and Telephone No. _____

Company _____

List all control settings, describe problem and check boxes that apply to problem. _____

- | | | |
|--------------------------------------------------|----------------------------------------------------------|--------------------------------------------------------------------|
| <input type="checkbox"/> Intermittent | <input type="checkbox"/> Analog output follows display | <input type="checkbox"/> Particular range or function bad; specify |
| <input type="checkbox"/> IEEE failure | <input type="checkbox"/> Obvious problem on power-up | <input type="checkbox"/> Batteries and fuses are OK |
| <input type="checkbox"/> Front panel operational | <input type="checkbox"/> All ranges or functions are bad | <input type="checkbox"/> Checked all cables |

Display or output (check one)

- | | |
|-------------------------------------------|--------------------------------------------------------------|
| <input type="checkbox"/> Drifts | <input type="checkbox"/> Unable to zero |
| <input type="checkbox"/> Unstable | <input type="checkbox"/> Will not read applied input |
| <input type="checkbox"/> Overload | |
| <input type="checkbox"/> Calibration only | <input type="checkbox"/> Certificate of calibration required |
| <input type="checkbox"/> Data required | |

(attach any additional sheets as necessary)

Show a block diagram of your measurement system including all instruments connected (whether power is turned on or not). Also, describe signal source.

Where is the measurement being performed? (factory, controlled laboratory, out-of-doors, etc.)

What power line voltage is used? _____ Ambient temperature? _____ °F

Relative humidity? _____ Other? _____

Any additional information. (If special modifications have been made by the user, please describe.)

Be sure to include your name and phone number on this service form.

Specifications are subject to change without notice.

All Keithley trademarks and trade names are the property of Keithley Instruments, Inc. All other trademarks and trade names are the property of their respective companies.

KEITHLEY

Keithley Instruments, Inc.

28775 Aurora Road • Cleveland, Ohio 44139 • 440-248-0400 • Fax: 440-248-6168
1-888-KEITHLEY (534-8453) • www.keithley.com

Sales Offices: **BELGIUM:** Bergensesteenweg 709 • B-1600 Sint-Pieters-Leeuw • 02-363 00 40 • Fax: 02/363 00 64
CHINA: Yuan Chen Xin Building, Room 705 • 12 Yumin Road, Dewai, Madian • Beijing 100029 • 8610-8225-1886 • Fax: 8610-8225-1892
FINLAND: Tietäjäsentie 2 • 02130 Espoo • Phone: 09-54 75 08 10 • Fax: 09-25 10 51 00
FRANCE: 3, allée des Garays • 91127 Palaiseau Cédex • 01-64 53 20 20 • Fax: 01-60 11 77 26
GERMANY: Landsberger Strasse 65 • 82110 Germering • 089/84 93 07-40 • Fax: 089/84 93 07-34
GREAT BRITAIN: Unit 2 Commerce Park, Brunel Road • Theale • Berkshire RG7 4AB • 0118 929 7500 • Fax: 0118 929 7519
INDIA: 1/5 Eagles Street • Langford Town • Bangalore 560 025 • 080 212 8027 • Fax: 080 212 8005
ITALY: Viale San Gimignano, 38 • 20146 Milano • 02-48 39 16 01 • Fax: 02-48 30 22 74
JAPAN: New Pier Takeshiba North Tower 13F • 11-1, Kaigan 1-chome • Minato-ku, Tokyo 105-0022 • 81-3-5733-7555 • Fax: 81-3-5733-7556
KOREA: 2FL., URI Building • 2-14 Yangjae-Dong • Seocho-Gu, Seoul 137-888 • 82-2-574-7778 • Fax: 82-2-574-7838
NETHERLANDS: Postbus 559 • 4200 AN Gorinchem • 0183-635333 • Fax: 0183-630821
SWEDEN: c/o Regus Business Centre • Frosundaviks Allé 15, 4tr • 169 70 Solna • 08-509 04 600 • Fax: 08-655 26 10
TAIWAN: 13F-3, No. 6, Lane 99, Pu-Ding Road • Hsinchu, Taiwan, R.O.C. • 886-3-572-9077 • Fax: 886-3-572-9031